

# Technical Data Sheet



## Catalog No. N48SF2D-9

| Characteristics |          |
|-----------------|----------|
| Phase           | 3        |
| KVA             | 9        |
| Primary         | 480Δ     |
| Secondary       | 240Δ     |
| Conductor       | Aluminum |
| Temp. Rise      | 115° C   |
| Frequency       | 60 HZ    |
| Taps            | -2@5%    |
| ESS             | Yes      |
| Insulation      | 180° C   |
| Weathershield   | N/A      |
| Wall Bracket    | Built-In |
| Weight (lbs)    | 270      |
| Sound(dB)       | 40       |

**Notes**

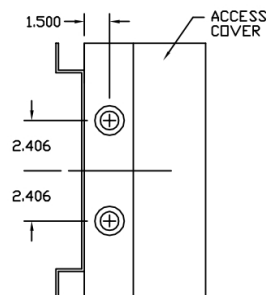
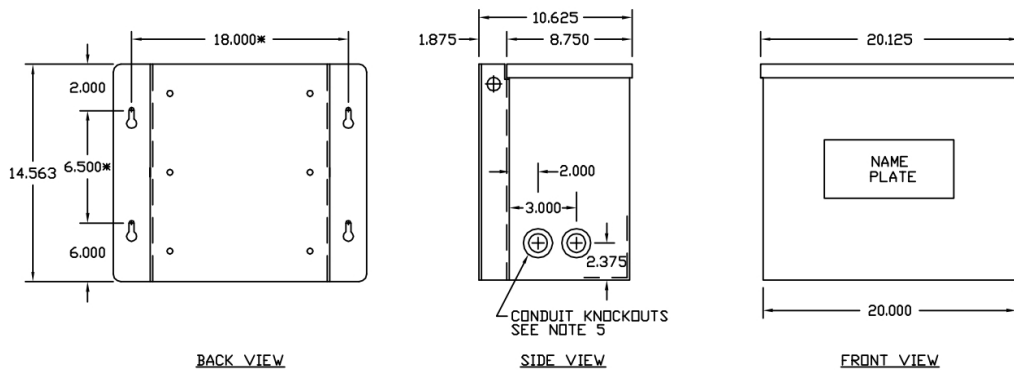
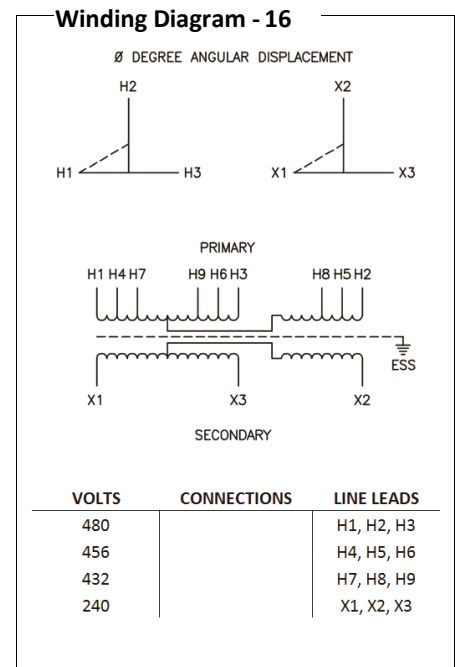
All units are UL listed and are designed in accordance with applicable NEMA, ANSI and IEEE standards.

Transformers are dry-type AA, non-ventilated NEMA 3R enclosure

Transformers are wall mounted. Wall mounting bracket is built into the enclosure.

Paint color is ANSI 61.

| AMP Ratings                     |        |
|---------------------------------|--------|
| <b>Line In (Primary) @ 480V</b> | 10.8A  |
| <b>Load (Secondary) @ 240V</b>  | 21.7 A |



Outline No: 08A7634