



# MINI-BEAM Expert™ Series

Microprocessor-based TEACH-mode photoelectric sensors

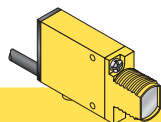
## MINI-BEAM Expert Series Features



- TEACH-mode sensors in the popular MINI-BEAM package
- Easy push-button programming automatically adjusts sensitivity to optimal setting\*
- Multiple sensing modes include: Polarized Retro, Clear Object Detection, Diffuse, Divergent, and Convergent, plus Glass and Plastic Fiber Optic models
- Fast, 500 microsecond (0.5 millisecond) output response
- Bipolar NPN (sinking) / PNP (sourcing) outputs
- Easy output programming eliminates the need for Light or Dark Operate selection
- Separate TEACH input allows remote programming by an external device, such as a switch or a process controller
- LED status indications for received signal strength (using Banner's patented AID™\*\* function), power ON and output state
- Green Stability indicator flashes when received signal level approaches the switching threshold, also indicates Power ON
- Choose models with integral 2 m (6.5') cable or 5-pin Euro-style quick-disconnect (QD) connector; 9 m (30') cables are also available

\* U.S. Patent no. 5808296

\*\* U.S. Patent no. 4356393



Excellent for sensing relatively small items where opposed-mode sensing is not possible. Recommended for relatively clean environments where high excess gain is not required. Filters out unwanted reflections.



Polarized, Visible red, 650 nm

## MINI-BEAM Expert Series Polarized Retroreflective Mode Sensors

Models	Range*	Cable	Supply Voltage	Output Type	Excess Gain	Beam Pattern
<b>Polarized</b>						
<b>SME312LP</b>  <b>SME312LPQD</b>	10 mm to 3 m (0.4" to 10')	5-wire 2 m (6.5')  5-Pin Euro-style QD	10-30V dc	Bipolar NPN/PNP		

\* Retroreflective range is specified using one model BRT-3 retroreflector (3" diameter). Actual sensing range may be more or less than specified, depending upon the efficiency and reflective area of the retroreflector(s) used. See page 12 and your current Banner Photoelectric Sensors catalog for more information.

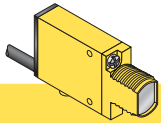


### WARNING . . . Not To Be Used for Personnel Protection

Never use these products as sensing devices for personnel protection. Doing so could lead to serious injury or death.

These sensors do NOT include the self-checking redundant circuitry necessary to allow their use in personnel safety applications. A sensor failure or malfunction can cause either an energized or de-energized sensor output condition. Consult your current Banner Safety Products catalog for safety products which meet OSHA, ANSI and IEC standards for personnel protection.

# MINI-BEAM Expert™ Series



Reliably detects the presence of clear objects.



Visible red, 650 nm

## MINI-BEAM Expert Series Polarized Retroreflective Clear Object Detection Sensors

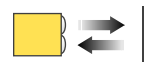
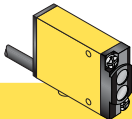
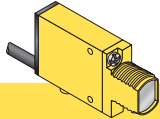
Models	Range*	Cable	Supply Voltage	Output Type	Excess Gain	Beam Pattern
<b>SME312LPC</b>  <b>SME312LPCQD</b>  (Reflective tape is not recommended for use with these models)	1 m (3.3') with supplied reflector	5-wire 2 m (6.5')  5-Pin Euro-style QD	10-30V dc	Bipolar NPN/PNP		

\* Sensing range will vary, according to the efficiency and reflective area of the retroreflector(s) used. See page 12 and your current Banner Photoelectric Sensors catalog for more information.

These economical single-unit sensors are excellent for sensing objects of adequate size and reflectivity at short range. Divergent models are useful for sensing small items and translucent or transparent materials at close range. The SME312DV sensors effectively sense specular surfaces like smi-conductor wafers, disk drive media, glass and machined surfaces. The collimated optics of the SME312DV also permits the sensor to be mounted against clear container walls, view ports and other types of optical "feed-throughs."

D Models

W Models



Infrared, 880 nm  
Visible Red, 650 nm

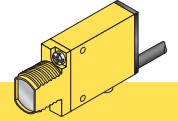
## MINI-BEAM Expert Series Diffuse Mode Sensors

Models	Range	Cable	Supply Voltage	Output Type	Excess Gain	Beam Pattern
					Performance based on 90% reflectance white test card	
<b>Diffuse Infrared, 880 nm</b>						
<b>SME312D</b>  <b>SME312DQD</b>	380 mm (15")	5-wire 2 m (6.5')  5-Pin Euro-style QD	10-30V dc	Bipolar NPN/PNP		
<b>Diffuse Visible Red, 650 nm</b>						
<b>SME312DV</b>  <b>SME312DVQD</b>	1100 mm (43")	5-wire 2 m (6.5')  5-Pin Euro-style QD	10-30V dc	Bipolar NPN/PNP		
<b>Divergent Diffuse Infrared, 880 nm</b>						
<b>SME312W</b>  <b>SME312WQD</b>	130 mm (5")	5-wire 2 m (6.5')  5-Pin Euro-style QD	10-30V dc	Bipolar NPN/PNP		

# MINI-BEAM Expert™ Series



Convergent-mode sensors are a good choice for counting adjacent radiused objects and for accurate position sensing. Blue, green and white beam models are recommended for color mark sensing.



## MINI-BEAM Expert Series Convergent Mode Sensors

Models	Focus	Cable	Supply Voltage	Output Type	Excess Gain	Beam Pattern
					Performance based on 90% reflectance white test card	
<b>Visible Red, 650 nm</b>						
SME312CV SME312CVQD	16 mm (0.65") <b>Spot Size at Focus:</b> 1.3 mm (0.05")	5-wire 2 m (6.5') 5-Pin Euro-style QD	10-30V dc	Bipolar NPN/PNP		
SME312CV2 SME312CV2QD	43 mm (1.7") <b>Spot Size at Focus:</b> 3.0 mm (0.12")	5-wire 2 m (6.5') 5-Pin Euro-style QD	10-30V dc	Bipolar NPN/PNP		
<b>Visible Green, 525 nm</b>						
SME312CVG SME312CVGQD	16 mm (0.65") <b>Spot Size at Focus:</b> 1.0 mm (0.04")	5-wire 2 m (6.5') 5-Pin Euro-style QD	10-30V dc	Bipolar NPN/PNP		
<b>Visible Blue, 475 nm</b>						
SME312CVB SME312CVBQD	16 mm (0.65") <b>Spot Size at Focus:</b> 1.8 mm (0.07")	5-wire 2 m (6.5') 5-Pin Euro-style QD	10-30V dc	Bipolar NPN/PNP		
<b>Visible White, 450-650 nm</b>						
SME312CVW SME312CVWQD	16 mm (0.65") <b>Spot Size at Focus:</b> 1.8 mm (0.07")	5-wire 2 m (6.5') 5-Pin Euro-style QD	10-30V dc	Bipolar NPN/PNP		

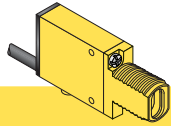
NOTES: i) 9 m (30') cables are available by adding suffix "W/30" to the model number of any cabled sensor (e.g., SME312D W/30)  
ii) A model with a QD connector requires a mating cable (see page 13).

# MINI-BEAM Expert™ Series

An excellent option for sensing in tight or otherwise inaccessible areas. Fibers withstand vibration and shock; are immune to electrical noise. Glass fibers withstand high temperatures, extreme moisture and corrosive materials. Not recommended for applications requiring bending or repeated flexing of fibers (see plastic fiber models).



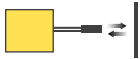
Infrared, 880 nm  
Visible red, 650 nm



## MINI-BEAM Expert Series Glass Fiber Optic Sensors

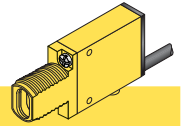
Models	Range	Cable	Supply Voltage	Output Type	Excess Gain	Beam Pattern
					Diffuse mode performance based on 90% reflectance white test card	
<b>Infrared, 880 nm</b>						
SME312F SME312FQD	Range varies by sensing mode and fiber optics used	5-wire 2 m (6.5') 5-Pin Euro-style QD	10-30V dc	Bipolar NPN/PNP	<b>OPPOSED MODE – INDIVIDUAL FIBERS</b>	
					<b>DIFFUSE MODE – BIFURCATED FIBERS</b>	
<b>Visible Red, 650 nm</b>						
SME312FV SME312FVQD	Range varies by sensing mode and fiber optics used	5-wire 2 m (6.5') 5-Pin Euro-style QD	10-30V dc	Bipolar NPN/PNP	<b>OPPOSED MODE – INDIVIDUAL FIBERS</b>	
					<b>DIFFUSE MODE – BIFURCATED FIBERS</b>	

# MINI-BEAM Expert™ Series



Visible green, 525 nm  
 Visible blue, 475 nm  
 Visible white, 450-650 nm

Recommended for color mark sensing.



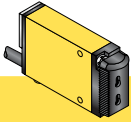
## MINI-BEAM Expert Series Glass Fiber Optic Sensors

Models	Range	Cable	Supply Voltage	Output Type	Excess Gain	Beam Pattern
					Diffuse mode performance based on 90% reflectance white test card	
<b>Visible Green, 525 nm</b>					<b>DIFFUSE MODE – BIFURCATED FIBERS</b>	
<b>SME312FVG</b> <b>SME312FVGQD</b>	Range varies by sensing mode and fiber optics used	5-wire 2 m (6.5') 5-Pin Euro-style QD	10-30V dc	Bipolar NPN/PNP		
<b>Visible Blue, 475 nm</b>						
<b>SME312FVB</b> <b>SME312FVBQD</b>	Range varies by sensing mode and fiber optics used	5-wire 2 m (6.5') 5-Pin Euro-style QD	10-30V dc	Bipolar NPN/PNP		
<b>Visible White, 450-650 nm</b>						
<b>SME312FVW</b> <b>SME312FVWQD</b>	Range varies by sensing mode and fiber optics used	5-wire 2 m (6.5') 5-Pin Euro-style QD	10-30V dc	Bipolar NPN/PNP		

NOTES: i) 9 m (30') cables are available by adding suffix **“W/30”** to the model number of any cabled sensor (e.g., **SME312FVG W/30**)  
 ii) A model with a QD connector requires a mating cable (see page 13).

# MINI-BEAM Expert™ Series

An excellent option for sensing in tight or otherwise inaccessible areas. Fibers withstand vibration and shock; are immune to electrical noise. Plastic fibers function well at temperatures from -30° to +70°C (-20°F to +158°F), and stand up to repeated flexing. Most are easy to shorten in the field, for custom installations. Not recommended for severe environments (see glass fiber models). Visible green, blue and white beam models are recommended for color mark sensing.




Visible red, 650 nm  
 Visible green, 525 nm  
 Visible blue, 475 nm  
 Visible white, 450-650 nm

## MINI-BEAM Expert Series Plastic Fiber Optic Sensors

Models	Range	Cable	Supply Voltage	Output Type	Excess Gain	Beam Pattern
					Diffuse mode performance based on 90% reflectance white test card	
<b>Visible Red, 650 nm</b>					<b>OPPOSED MODE – INDIVIDUAL FIBERS</b>	
SME312FP  SME312FPQD	Range varies by sensing mode and fiber optics used	5-wire 2 m (6.5')  5-Pin Euro-style QD	10-30V dc	Bipolar NPN/PNP		
<b>Visible Green, 525 nm</b>					<b>DIFFUSE MODE – BIFURCATED FIBERS</b>	
SME312FPG  SME312FPGQD	Range varies by sensing mode and fiber optics used	5-wire 2 m (6.5')  5-Pin Euro-style QD	10-30V dc	Bipolar NPN/PNP		
<b>Visible Blue, 475 nm</b>					<b>DIFFUSE MODE – BIFURCATED FIBERS</b>	
SME312FPB  SME312FPBQD	Range varies by sensing mode and fiber optics used	5-wire 2 m (6.5')  5-Pin Euro-style QD	10-30V dc	Bipolar NPN/PNP		
<b>Visible White, 450-650 nm</b>					<b>DIFFUSE MODE – BIFURCATED FIBERS</b>	
SME312FPW  SME312FPWQD	Range varies by sensing mode and fiber optics used	5-wire 2 m (6.5')  5-Pin Euro-style QD	10-30V dc	Bipolar NPN/PNP		

NOTES: i) 9 m (30') cables are available by adding suffix "W/30" to the model number of any cabled sensor (e.g., SME312FPB W/30)  
 ii) A model with a QD connector requires a mating cable (see page 13).

## MINI-BEAM *Expert* Series Specifications

<b>Supply Voltage and Current</b>	10 to 30V dc (10% maximum ripple) at less than 45 mA, exclusive of load
<b>Supply Protection Circuitry</b>	Protected against reverse polarity and transient voltages
<b>Output Configuration</b>	Bipolar: One current sourcing (PNP) and one current sinking (NPN) open-collector transistor
<b>Output Rating</b>	150 mA maximum each output at 25°C, derated to 100 mA at 70°C (derate ≈1 mA per °C) <b>Off-state leakage current:</b> less than 5µA @ 30V dc <b>ON-state saturation current:</b> less than 1V @ 10 mA; less than 1.5V @ 150 mA
<b>Output Protection Circuitry</b>	Protected against false pulse on power-up and continuous overload or short-circuit of outputs
<b>Output Response Time</b>	Sensors will respond to either a “light” or a “dark” signal of 500 microseconds or longer duration, 1 kHz max. NOTE: 1 second delay on power-up; outputs do not conduct during this time.
<b>Repeatability</b>	100 microseconds (all models)
<b>Adjustments</b>	Push-button TEACH mode sensitivity setting (see TEACH mode, page 8); remote TEACH mode input is provided (gray wire)
<b>Indicators</b>	Two LEDs: Yellow and Bi-color Green/Red <b>Green (RUN Mode):</b> ON when power is applied Flashes when received light level approaches the switching threshold <b>Red (TEACH Mode):</b> OFF when no signal is received. Pulses to indicate signal strength (received light level). Rate is proportional to signal strength (the stronger the signal, the faster the pulse rate). This is a function of Banner’s patented Alignment Indicating Device (AID <sup>™</sup> , US patent 4356393). <b>Yellow (TEACH Mode):</b> ON to indicate sensor is ready to learn output ON condition OFF to indicate sensor is ready to learn output OFF condition <b>Yellow (RUN Mode):</b> ON when outputs are conducting
<b>Construction</b>	Reinforced thermoplastic polyester housing, totally encapsulated, o-ring seal, acrylic lenses, and stainless steel screws.
<b>Environmental Rating</b>	Meets NEMA standards 1, 2, 3, 3S, 4, 4X, 6, 12, and 13; IEC IP67
<b>Connections</b>	PVC-jacketed 5-conductor 2 m (6.5') or 9 m (30') unterminated cable, or 5-pin Euro-style quick-disconnect (QD) fitting are available. QD cables are ordered separately; see page 13.
<b>Operating Conditions</b>	<b>Temperature:</b> -20° to +70°C (-4° to +158°F) <b>Maximum relative humidity:</b> 90% at 50°C (non-condensing)
<b>Application Notes</b>	The first condition presented during TEACH mode becomes the output ON condition.
<b>Certifications</b>	



# MINI-BEAM *Expert*™ Series

## Using the MINI-BEAM *Expert*

### RUN Mode

Normal operation of the MINI-BEAM *Expert* is called RUN mode. The two LED indicators (bi-color Green/Red and Yellow) operate as follows in RUN Mode:

**Green (RUN Mode):** ON steady whenever power is applied  
Flashes as received light level approaches the switching threshold (stability indicator). (The stability indicator signals when maintenance, realignment, or reprogramming is needed during RUN mode.)

**Yellow (Output):** ON when the outputs are energized (conducting)  
OFF when the outputs are de-energized (not conducting)

If contrast is marginal, the bi-color indicator will flash green (to indicate instability). Reprogramming or realigning the sensor, or cleaning the sensor or fiber lenses may solve a problem with stability.



Figure 1. MINI-BEAM *Expert* Series indicators

### TEACH Mode

Programming of the MINI-BEAM *Expert* – setting the sensitivity and selecting output ON and OFF conditions – is performed in TEACH mode.

#### Determining the Output ON and OFF Conditions

The two sensing conditions may be presented in either order. The condition presented first is the condition for which the output will energize (the “Output ON” target).

#### Setting Sensitivity

Sensitivity is automatically set (and optimized) when teaching the sensor the ON and OFF conditions. When the push button is clicked, the sensor samples each sensing condition and registers it into memory. After the second sensing condition is registered, the MINI-BEAM *Expert* automatically sets the sensitivity to the optimum value for the application, and then returns to RUN mode.

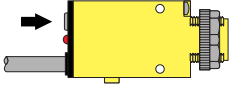
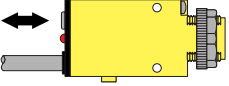
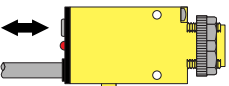
**The two LED indicators** (bi-color Green/Red and Yellow) operate as follows in TEACH Mode:

**Red (TEACH Mode):** Lights when the sensor “sees” its modulated light source; pulse rate is proportional to the received light signal strength during TEACH programming

**Yellow (Output):** ON to indicate TEACH output ON condition  
OFF to indicate TEACH output OFF condition

**The Signal Strength indicator** is Banner’s exclusive AID™ (Alignment Indicating Device). Its pulse rate increases as the received light signal strength increases (during programming). This feature simplifies accurate alignment during TEACH mode, and gives a relative indication of sensing contrast between the light and dark conditions.



Push Button		Resulting Indicator Status
Press and hold until the bi-color (green/red) indicator begins to flash red, or turns OFF.	<p><b>Push and Hold</b> → <b>≥ 2 Seconds</b></p> 	<p><b>Yellow:</b> ON  <b>Red:</b> Pulses to indicate relative received signal strength.</p>
<b>TEACH Condition #1 (Output ON state)</b> Present the first sensing condition to the sensor and single-click. <sup>†</sup>	<p><b>Single-Click</b> ↔</p>  <p><b>Sensing Condition #1 (Output ON State)</b></p>	<p><b>Yellow:</b> OFF  <b>Red:</b> Pulses to indicate relative received signal strength.</p>
<b>TEACH Condition #2 (Output OFF state)</b> Present the second sensing condition to the sensor and single-click.	<p><b>Single-Click</b> ↔</p>  <p><b>Sensing Condition #2 (Output OFF State)</b></p>	<p>If contrast is acceptable, the sensor returns to RUN mode, otherwise it will return to TEACH Condition #1.  <b>Green:</b> ON (or flashes if signal is close to the switching threshold).  <b>Yellow:</b> OFF, until the sensing condition changes.</p>

<sup>†</sup>NOTE: The sensor will return to RUN mode if the first TEACH condition is not registered within 90 seconds. TEACH mode may be cancelled before either condition #1 or #2 by holding the push button depressed for ≥ 2 seconds.

**A Note About the “Clicks”:** Clicks are meant to be pressed firmly, then quickly released. Indicators go ON or OFF after a brief delay; do not wait until LEDs change status before releasing push button. (If push button is pressed for 2 seconds or longer, sensor will automatically return to RUN mode.)

## Remote Programming

The gray wire of the MINI-BEAM *Expert* may be connected to a remote switch or process controller to disable or enable the push button or to program the sensor through TEACH mode.

A remote programming switch is connected between the gray wire and dc common (see hookup diagrams on page 11). The switch may be either a normally-open contact, or an open-collector NPN transistor with its emitter connected to dc common.

Programming is accomplished using a specified sequence of input pulses. The duration of each pulse is defined as: 0.04 seconds < T < 0.8 seconds.

The required spacing between adjacent pulses in a sequence (a “four-pulse”) is also: 0.04 < T < 0.8 seconds. The timing diagrams (Figure 2, left) illustrate the input requirements.

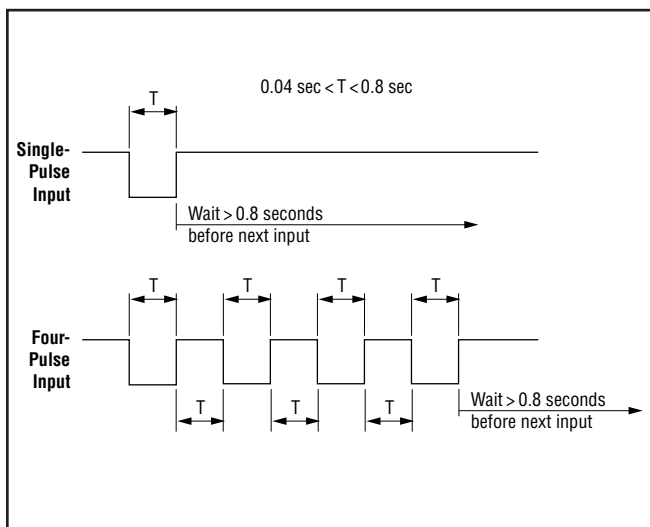


Figure 2. Timing programs for remote programming

# MINI-BEAM *Expert*™ Series

---

## TEACH-Mode Programming Using the Remote TEACH Line

NOTE: Pulse the TEACH line by momentarily connecting the remote wire to dc common (no press-and-hold procedure is required to enter TEACH mode). This is the equivalent of a “click” when using the sensor TEACH push button.

1. Position the “Output ON” condition and pulse the Remote TEACH line once. The bi-color (green/red) indicator begins to flash red or turn OFF (the AID function is indicating signal strength) and the yellow Output indicator will flash briefly and then go OFF.
2. Position the “Output OFF” condition and pulse the Remote TEACH line again. The green indicator will turn ON and the sensor will return to RUN mode with the new settings, if the contrast is adequate. If the contrast is not adequate, the yellow indicator will turn ON and the red AID indicator will remain active, indicating that the sensor is waiting for the first TEACH condition to be retaught. (RUN mode begins a few seconds after the end of TEACH mode.)

NOTE: To exit TEACH mode without updating, hold the Remote TEACH line low (longer than 2 seconds) until the green indicator goes ON, *before teaching the second target*.

## Locking Out (Disabling) the Push Button

When remote programming is used exclusively, it may be beneficial to disable the push button on the MINI-BEAM *Expert* to increase the security of the settings. The push button can be enabled and/or disabled via the remote line only. If the push button is disabled, TEACH mode cannot be accessed from the push button.

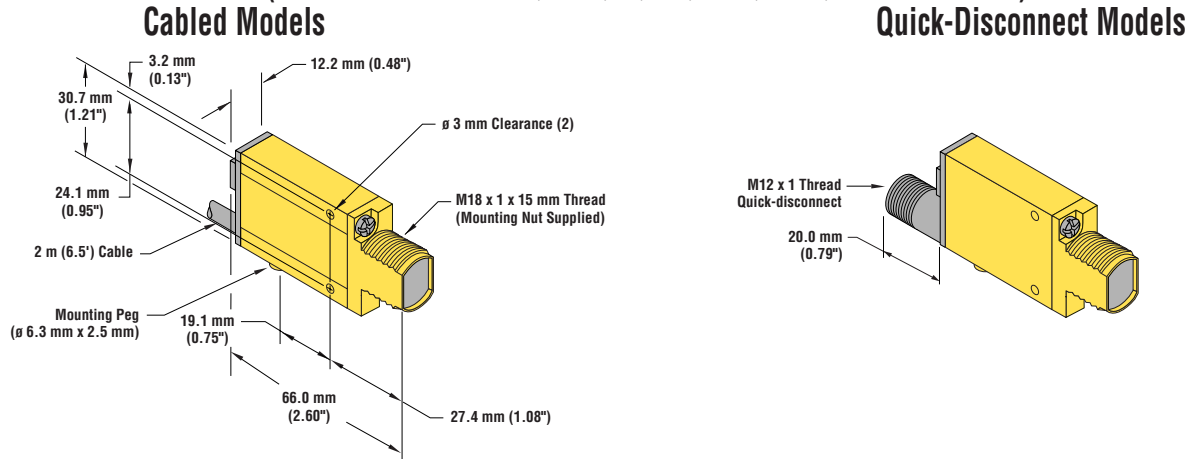
Pulse the Remote TEACH line 4 times (four-pulse) to enable or disable the push button (see timing diagram, Figure 2).

## Troubleshooting

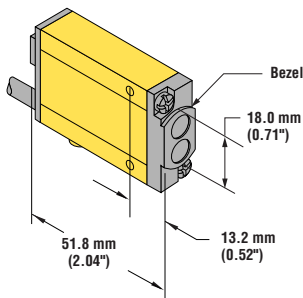
The MINI-BEAM *Expert's* Power LED may begin to alternate flashing red/green; this indicates a microprocessor memory error. If it occurs, try reteaching the sensor, or try cycling power ON and OFF, then reteaching the sensor. If this does not solve the problem, or if it occurs frequently, replace the sensor.

## MINI-BEAM Expert Dimensions

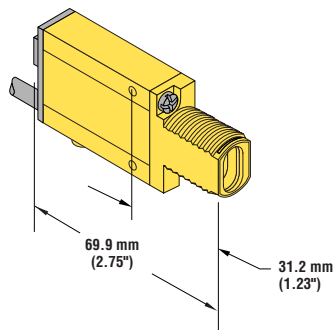
### MINI-BEAM Expert Series Sensor (models with suffix LP, LPC, D, CV, CV2, CVG, CVB and CVW)



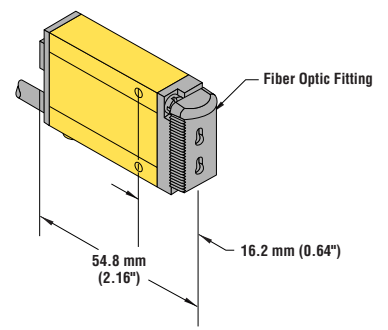
### MINI-BEAM Expert Series Sensor Divergent Diffuse Mode (models with suffix W)



### MINI-BEAM Expert Series Sensor Glass Fiber Optic (models with suffix F, FV, FVG, FVB and FVW)

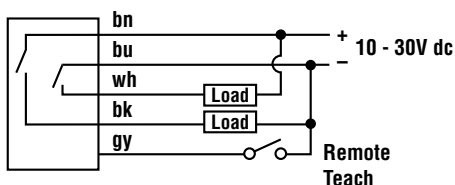


### MINI-BEAM Expert Series Sensor Plastic Fiber Optic (models with suffix FP, FPG, FPB and FPW)

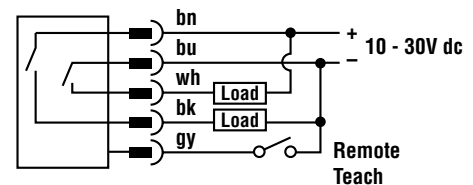


## MINI-BEAM Expert Hookups

### MINI-BEAM Expert Series Sensor (Cabled models)



### MINI-BEAM Expert Series Sensor (Quick-disconnect models)



# MINI-BEAM *Expert*™ Series

## Accessories

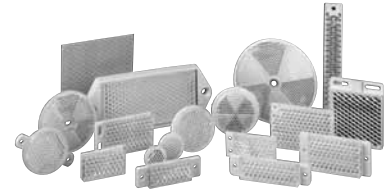
### Retroreflective Targets

Banner offers a wide selection of high-quality retroreflective targets. See your current Banner Photoelectric Sensors catalog for complete information on available models.

Polarized sensors require corner cube type retroreflective targets only. Sensing range will vary, according to the efficiency and reflective area of the retroreflector(s) used. For these low-contrast applications, the model BRT-2X2 (2" x 2") reflector is recommended, and one is bundled with each SME312LPC(QD) sensor.

- For applications that involve high levels of vibration, the model BRT-36x40BM, with its micro-prism geometry, is recommended.
- For long-range applications, the BRT-77X77C reflector provides a range up to 2 m (6.5').
- SME312LPC(QD) are for use with corner cube type reflectors only; reflective tape is not recommended.
- For clear object detection (low-contrast applications), the model BRT-2x2 reflector is recommended.

Before installing retroreflective tape, clean the surface with an isopropyl alcohol wipe.



BRT-2X2* (One is supplied with each SME312LPC(QD) sensor)	Reflectivity Factor 1.0	Maximum Temperature 50°C (120°F)	BRT-36X40BM* (This target has micro-prism geometry)	Reflectivity Factor 1.2	Maximum Temperature 50°C (120°F)
BRT-77X77C*	Reflectivity Factor 2.0	Maximum Temperature 50°C (120°F)	BRT-TVHG	Reflectivity Factor 0.8	Maximum Temperature 60°C (140°F)
			<p>Retroreflective tape is available in a variety of sizes and shapes; see your Banner Photoelectric Catalog for more information.</p>		

\* Optional brackets are available. See the Accessories section of your current Banner Photoelectric Sensors catalog.

## Quick-Disconnect Cables

The following cables are available for MINI-BEAM *Expert* Series QD models

Style	Model	Length	Dimensions	Pin-out
5-pin Euro-style straight	<b>MQDC1-506</b> <b>MQDC1-515</b> <b>MQDC1-530</b>	2 m (6.5') 5 m (15') 9 m (30')		
5-pin Euro-style right-angle	<b>MQDC1-506RA</b> <b>MQDC1-515RA</b> <b>MQDC1-530RA</b>	2 m (6.5') 5 m (15') 9 m (30')		

## MINI-BEAM Mounting Brackets

<b>SMB312S</b>	<ul style="list-style-type: none"> <li>• Stainless steel 2-axis, side mounting bracket</li> </ul>	<b>SMB312B</b>	<ul style="list-style-type: none"> <li>• Stainless steel 2-axis, bottom mounting bracket</li> <li>• Includes mounting foot</li> </ul>
<b>SMB312PD</b>	<ul style="list-style-type: none"> <li>• Stainless steel 18 mm barrel mounting bracket</li> </ul>	<b>SMB46L</b>	<ul style="list-style-type: none"> <li>• "L" bracket</li> <li>• 14 ga 316 stainless steel</li> </ul>

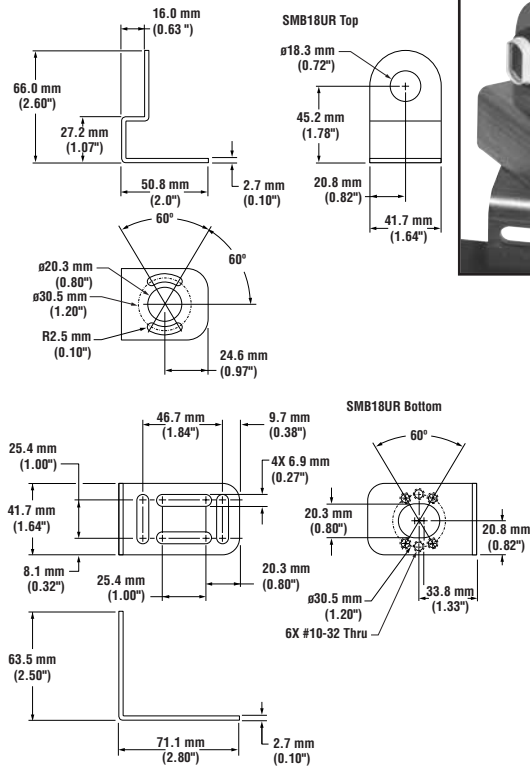
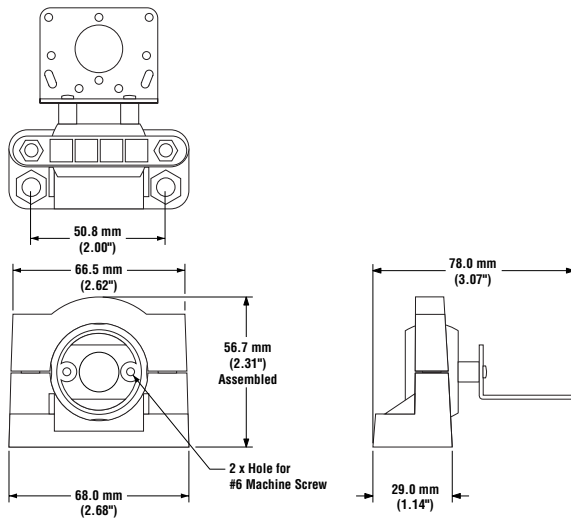
# MINI-BEAM Expert™ Series

## MINI-BEAM Mounting Brackets

<p><b>SMB46S</b></p>	<ul style="list-style-type: none"> <li>• “S” bracket</li> <li>• 14 ga 316 stainless steel</li> </ul>	<p><b>SMB46U</b></p>	<ul style="list-style-type: none"> <li>• “U” bracket</li> <li>• 14 ga 316 stainless steel</li> </ul>
<p><b>SMB18C</b></p>	<ul style="list-style-type: none"> <li>• 18 mm split clamp black reinforced thermoplastic polyester bracket</li> <li>• Stainless steel mounting hardware included</li> </ul>	<p><b>SMB18SF</b></p>	<ul style="list-style-type: none"> <li>• 18 mm swivel, black reinforced thermoplastic polyester bracket</li> <li>• Stainless steel mounting hardware included</li> </ul>
<p><b>SMB3018SC</b></p>	<ul style="list-style-type: none"> <li>• 18 mm swivel; barrel- or side-mount</li> <li>• Black thermoplastic polyester</li> </ul>	<p><b>SMB3018SUS</b></p>	<ul style="list-style-type: none"> <li>• Side-mount swivel – extended range of motion</li> <li>• Black thermoplastic polyester</li> </ul>

## MINI-BEAM Mounting Brackets

<b>SMB30SK</b>	<ul style="list-style-type: none"> <li>• Flat-mount swivel bracket with extended range of motion</li> <li>• Black reinforced thermoplastic polyester and 316 stainless steel</li> </ul>	<b>SMB18UR</b>	<ul style="list-style-type: none"> <li>• Universal rotating bracket, 18 mm or 30 mm</li> <li>• 300 series stainless steel</li> </ul>
----------------	---	----------------	--





# MINI-BEAM *Expert*<sup>™</sup> Series

---



**WARRANTY:** Banner Engineering Corp. warrants its products to be free from defects for one year. Banner Engineering Corp. will repair or replace, free of charge, any product of its manufacture found to be defective at the time it is returned to the factory during the warranty period. This warranty does not cover damage or liability for the improper application of Banner products. This warranty is in lieu of any other warranty either expressed or implied.