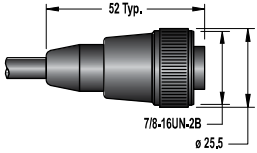

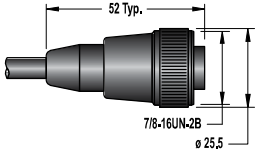
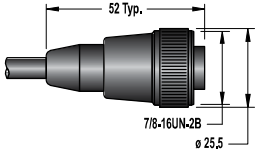
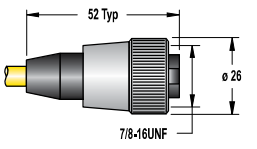
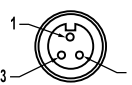
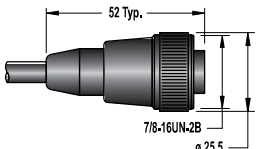
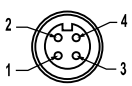


3-Pin Mini-Style Cordsets										
<p><b>Cable:</b> PVC jacket, PUR (polyurethane) connector body, nylon coupling nut  <b>Conductors:</b> 18 AWG, PVC insulation, gold-plated contacts  <b>Voltage/Current Rating:</b> 300V ac/dc, 9.0 A  <b>Temperature:</b> -40° to +80° C      <b>Environmental Rating:</b> IP67</p>										
Style	Length	Model	Cable Diameter	Dimensions (mm)	Pinout	Used With				
Straight	1.83 m	MBCC-306	7.00 mm		<p><b>Female</b></p>  <p>1 = Brown 3 = Blue 4 = Black</p>	<ul style="list-style-type: none"> <li>• Q45</li> </ul>				
	3.66 m	MBCC-312								
	9.14 m	MBCC-330								
Straight	1.83 m	SMICC-306			7.00 mm		<p>1 = Brown 3 = Blue 4 = Black</p>	<ul style="list-style-type: none"> <li>• SMI30 Intrinsically safe dc sensors</li> </ul>		
	3.66 m	SMICC-312								
	9.14 m	SMICC-330								
Straight	1.83 m	SM30CC-306					7.00 mm		<p>1 = Red/Black 3 = Red/White 4 = Green</p>	<ul style="list-style-type: none"> <li>• SM30 2-wire ac sensors</li> </ul>
	3.66 m	SM30CC-312								

3-Pin Mini-Style Cordsets						
<p><b>Cable:</b> PVC jacket, PUR (polyurethane) connector body, nickel-plated brass coupling nut  <b>Conductors:</b> 18 AWG, PVC insulation, gold-plated contacts  <b>Voltage Rating:</b> 250V ac/300 dc  <b>Temperature:</b> -40° to +80° C      <b>Environmental Rating:</b> IP67</p>						
Style	Length	Model	Cable Diameter	Dimensions (mm)	Pinout	Used With
Straight	4.75 m	QDS-315C	7.00 mm		<p><b>Female</b></p>  <p>1 = Green/Ye 2 = Brown 3 = Blue</p>	<ul style="list-style-type: none"> <li>• EZ-SCREEN Emitters w/3-pin QD (Point &amp; Grid)</li> </ul>
	7.62 m	QDS-325C				
	15.2 m	QDS-350C				
	22.9 m	QDS-375C				
	30.5 m	QDS-3100C				

4-Pin Mini-Style Cordsets						
<p><b>Cable:</b> PVC jacket, PUR (polyurethane) connector body, nylon coupling nut  <b>Conductors:</b> 18 AWG, gold-plated contacts  <b>Voltage/Current Rating:</b> 300V ac/dc, 9.0 A  <b>Temperature:</b> -40° to +80° C      <b>Environmental Rating:</b> IP67</p>						
Style	Length	Model	Cable Diameter	Dimensions (mm)	Pinout	Used With
Straight	1.83 m	MBCC-406	7.00 mm		<p><b>Female</b></p>  <p>1 = Brown 2 = White 3 = Blue 4 = Black</p>	<ul style="list-style-type: none"> <li>• Q45 dc sensors (suffix Q)</li> <li>• OMNI-BEAM dc power blocks</li> <li>• SM30 dc sensors</li> <li>• OTB w/solid-state output</li> <li>• STB with solid-state output</li> </ul>
	3.66 m	MBCC-412				
	9.14 m	MBCC-430				