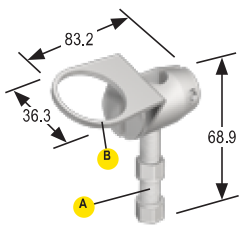
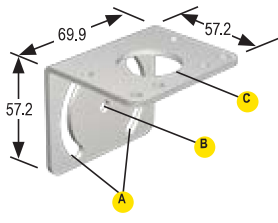
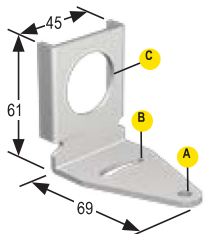
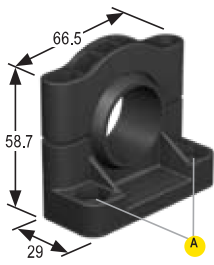










SMB30FA		SMB30MM		SMB30Q		SMB30SC	
							
All measurements in mm		All measurements in mm		All measurements in mm		All measurements in mm	
<p>A = 3/8 -16 x 50.8 Hole size: B = <math>\varnothing</math> 30.1</p>		<p>Hole center spacing: A = 51.0, A to B = 25.4 Hole size: A = 42.6 x 7.0, B = <math>\varnothing</math> 6.4, B = <math>\varnothing</math> 30.1</p>		<p>Hole center spacing: A to B = 40.0 Hole size: A = <math>\varnothing</math> 6.3, B = 13.1 x 6.3, A = <math>\varnothing</math> 30.1</p>		<p>Hole center spacing: A to B = 50.8 Hole size: A = <math>\varnothing</math> 7.0</p>	
<ul style="list-style-type: none"> <li>Swivel bracket with tilt and pan movement for precision adjustment</li> <li>Mounting hole for 30 mm sensor</li> <li>12-ga. 304 stainless steel</li> </ul>		<ul style="list-style-type: none"> <li>12-ga. stainless steel bracket with curved mounting slots for versatility and orientation</li> <li>Clearance for M6 (1/4") hardware</li> <li>Mounting hole for 30 mm sensor</li> </ul>		<ul style="list-style-type: none"> <li>Right-angle flanged mounting bracket with curved slot for versatile orientation</li> <li>12-ga. stainless steel</li> <li>Mounting hole for 30 mm sensor</li> </ul>		<ul style="list-style-type: none"> <li>Swivel bracket with 30 mm mounting hole for sensor</li> <li>Black reinforced thermoplastic polyester</li> <li>Stainless steel mounting and swivel locking hardware included</li> </ul>	
Barrel Mount		Barrel Mount		Barrel Mount		Barrel Mount	
							
Used with		Used with		Used with		Used with	
QS30 SM30/SMI30 S30	T30 T30U EZ-LIGHT T30	QS30 S30 SM30/SMI30	EZ-LIGHT T30 T30	QS30 SM30/SMI30 S30	T30 EZ-LIGHT T30	QS30 SM30/SMI30 S30	T30 EZ-LIGHT T30
Base Mount		Base Mount		Base Mount		Base Mount	
							
Used with		Used with		Used with		Used with	
Q40 Q45 Q45U Q45UR QT50U OMNI-BEAM	OTB/LTB VTB STB K50 QT50R EZ-LIGHT K50L	Q40 Q45 OMNI-BEAM OTB/LTB VTB STB	QT50U Q45U Q45UR QT50R K50 EZ-LIGHT K50L	Q40 Q45 OMNI-BEAM OTB/LTB VTB STB	Q45U Q45UR K50 EZ-LIGHT K50L	Q40 Q45 OMNI-BEAM OTB/LTB VTB STB	QT50U Q45U Q45UR QT50R K50 EZ-LIGHT K50L

BRACKETS

CABLES

RETROREFLECTORS

ENCLOSURES/  
LENS SHIELDS

MISCELLANEOUS