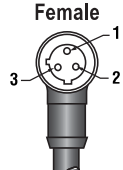
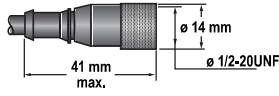
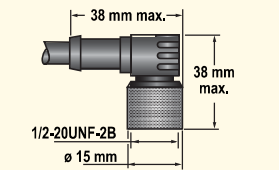


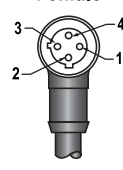
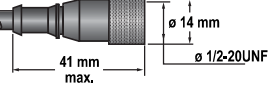
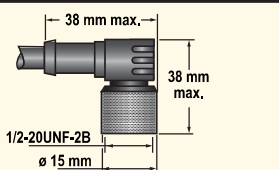
### 3-Pin Micro-Style Cables

**Cable:** PVC jacket, 3 x 22 AWG  
**Conductors:** PUR (polyurethane) body, nickel-plated coupling nut, gold-plated contacts  
**Voltage/Current Rating:** 250V ac/dc, 4.0 A  
**Temperature:** +105° C

Pinout	Style	Model	Length	Dimensions	Used With
 <p>Female</p> <p>1 = Green 2 = Red/Black 3 = Red/White</p>	Straight	MQDC-306	2 m		<ul style="list-style-type: none"> <li>MINI-BEAM ac SM2A312 sensors</li> </ul>
		MQDC-315	5 m		
		MQDC-330	9 m		
	Right-Angle	MQDC-306RA	2 m		
		MQDC-315RA	5 m		
		MQDC-330RA	9 m		

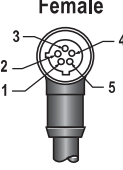
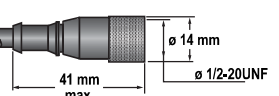
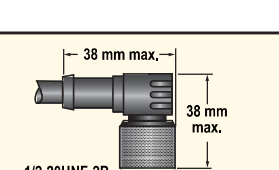
### 4-Pin Micro-Style Cables

**Cable:** PVC jacket, 4 x 22 AWG  
**Conductors:** PUR (polyurethane) body, nickel-plated brass coupling nut, gold-plated contacts  
**Voltage/Current Rating:** 250V ac/dc, 4.0 A  
**Temperature:** +105° C

Pinout	Style	Model	Length	Dimensions	Used With
 <p>Female</p> <p>1 = Red/Black 2 = Red/White 3 = Red 4 = Green</p>	Straight	MQAC-406	2 m		<ul style="list-style-type: none"> <li>Q45 ac series (suffix Q1)</li> <li>S18, M18, T18, Q25, S30, T30 &amp; Q40 ac sensors (suffix Q1)</li> <li>Q60</li> </ul>
		MQAC-415	5 m		
		MQAC-430	9 m		
	Right-Angle	MQAC-406RA	2 m		
		MQAC-415RA	5 m		
		MQAC-430RA	9 m		

### 5-Pin Micro-Style Cables with Shield

**Cable:** PVC jacket, 5 x 22 AWG with 22 AWG drain wire  
**Conductors:** PUR (polyurethane) body, nickel-plated brass coupling nut, gold-plated contacts  
**Voltage Rating:** 250V ac/dc, 4.0 A  
**Temperature:** +105° C

Pinout	Style	Model	Length	Dimensions	Used With
 <p>Female</p> <p>1 = Brown 2 = White 3 = Yellow 4 = Black 5 = Blue</p>	Straight	MQVR3S-506	2 m		<ul style="list-style-type: none"> <li>QT50U ac/dc sensors</li> <li>EZ-LIGHT ac indicators</li> </ul>
		MQVR3S-515	5 m		
		MQVR3S-530	9 m		
	Right-Angle	MQVR3S-506RA	2 m		
		MQVR3S-515RA	5 m		
		MQVR3S-530RA	9 m		

BRACKETS  
CABLES  
RETROREFLECTORS  
ENCLOSURES/  
LENS SHIELDS  
MISCELLANEOUS