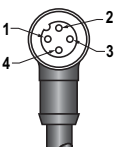
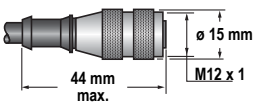
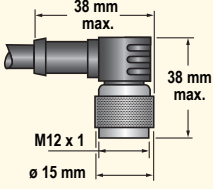


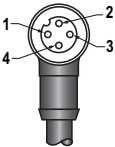
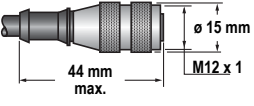
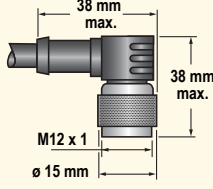
4-Pin Euro-Style Cables

Cable: PVC jacket, PUR (polyurethane) connector body, nickel-plated brass coupling nut
Conductors: 22 or 20 AWG high-flex stranded, gold-plated contacts
Voltage Rating:

Pinout	Style	Model	Length	Dimensions	Used With
 <p>Female</p> <p>1 = Brown 2 = White 3 = Blue 4 = Black</p>	Straight	MQDC-406	2 m		<ul style="list-style-type: none"> • Q12 • M12 • QS18 • Q20 • OMNI-BEAM (QDH suffix) • Q45 dc sensors (Q5 suffix) • MINI-BEAM dc SM312 sensors • S18, M18, T18, Q25, S30, T30, Q40 • QM42 • QL50/QL55 • SLM • T18U • K50 • K80 • PVA • VTB and STB • EZ-LIGHT
		MQDC-415	5 m		
		MQDC-430	9 m		
	Right-Angle	MQDC-406RA	2 m		
		MQDC-415RA	5 m		
		MQDC-430RA	9 m		

4-Pin Euro-Style Cables with Shield

Cable: PVC jacket, PUR (polyurethane) connector body, nickel-plated brass coupling nut
Conductors: 22 or 20 AWG high-flex stranded, gold-plated contacts
Voltage Rating:

Pinout	Style	Model	Length	Dimensions	Used With
 <p>Female</p> <p>1 = Brown 2 = White 3 = Blue 4 = Black</p>	Straight	MQDEC2-406	2 m		<ul style="list-style-type: none"> • QS18U
		MQDEC2-415	5 m		
		MQDEC2-430	9 m		
	Right-Angle	MQDEC2-406RA	2 m		
		MQDEC2-415RA	5 m		
		MQDEC2-430RA	9 m		