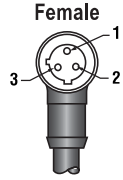
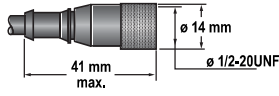
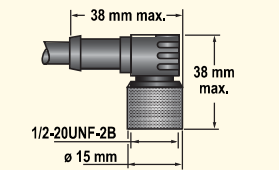
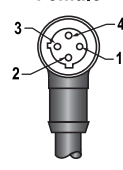
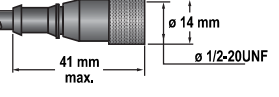
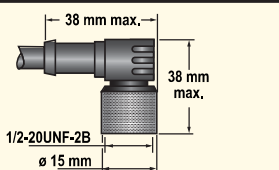
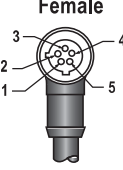
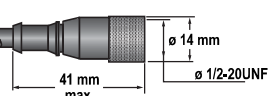
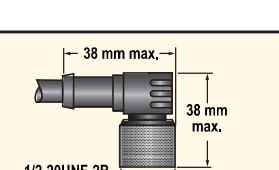


3-Pin Micro-Style Cables						
Cable: PVC jacket, 3 x 22 AWG Conductors: PUR (polyurethane) body, nickel-plated coupling nut, gold-plated contacts Voltage/Current Rating: 250V ac/dc, 4.0 A Temperature: +105° C						
Pinout	Style	Model	Length	Dimensions	Used With	
 <p>Female</p> <p>1 = Green 2 = Red/Black 3 = Red/White</p>	Straight	MQDC-306	2 m		<ul style="list-style-type: none"> MINI-BEAM ac SM2A312 sensors 	
		MQDC-315	5 m			
		MQDC-330	9 m			
	Right-Angle	MQDC-306RA	2 m			
		MQDC-315RA	5 m			
		MQDC-330RA	9 m			

4-Pin Micro-Style Cables						
Cable: PVC jacket, 4 x 22 AWG Conductors: PUR (polyurethane) body, nickel-plated brass coupling nut, gold-plated contacts Voltage/Current Rating: 250V ac/dc, 4.0 A Temperature: +105° C						
Pinout	Style	Model	Length	Dimensions	Used With	
 <p>Female</p> <p>1 = Red/Black 2 = Red/White 3 = Red 4 = Green</p>	Straight	MQAC-406	2 m		<ul style="list-style-type: none"> Q45 ac series (suffix Q1) S18, M18, T18, Q25, S30, T30 & Q40 ac sensors (suffix Q1) Q60 	
		MQAC-415	5 m			
		MQAC-430	9 m			
	Right-Angle	MQAC-406RA	2 m			
		MQAC-415RA	5 m			
		MQAC-430RA	9 m			

5-Pin Micro-Style Cables with Shield						
Cable: PVC jacket, 5 x 22 AWG with 22 AWG drain wire Conductors: PUR (polyurethane) body, nickel-plated brass coupling nut, gold-plated contacts Voltage Rating: 250V ac/dc, 4.0 A Temperature: +105° C						
Pinout	Style	Model	Length	Dimensions	Used With	
 <p>Female</p> <p>1 = Brown 2 = White 3 = Yellow 4 = Black 5 = Blue</p>	Straight	MQVR3S-506	2 m		<ul style="list-style-type: none"> QT50U ac/dc sensors EZ-LIGHT ac indicators 	
		MQVR3S-515	5 m			
		MQVR3S-530	9 m			
	Right-Angle	MQVR3S-506RA	2 m			
		MQVR3S-515RA	5 m			
		MQVR3S-530RA	9 m			

BRACKETS
 CABLES
 RETROREFLECTORS
 ENCLOSURES/
 LENS SHIELDS
 MISCELLANEOUS