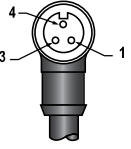
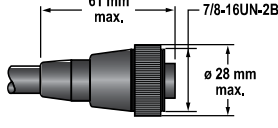


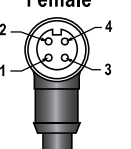
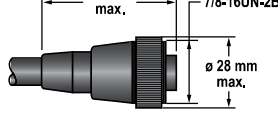
3-Pin Mini-Style Cables

Cable: PVC jacket, PUR (polyurethane) connector body, nylon coupling nut
Conductors: 18 AWG high-flex stranded, PVC insulation, gold-plated contacts
Voltage Rating: 250V ac/300V dc
Temperature: -40° to +80° C

Pinout	Style	Model	Length	Dimensions	Used With
 <p>Female</p> <p>1 = Brown 3 = Blue 4 = Black</p>	Straight	MBCC-306	2 m		<ul style="list-style-type: none"> • Q45
		MBCC-312	4 m		
		MBCC-330	9 m		
	Straight	SMICC-306	2 m		<ul style="list-style-type: none"> • SMI30 Intrinsically safe dc sensors
		SMICC-312	4 m		
		SMICC-330	9 m		
1=Red/Black 3=Red/White 4=Green	Straight	SM30CC-306	2 m	<ul style="list-style-type: none"> • SM30 2-wire ac sensors 	
		SM30CC-312	4 m		

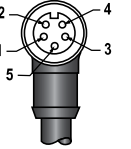
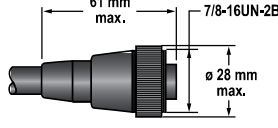
4-Pin Mini-Style Cables

Cable: PVC jacket, PUR (polyurethane) connector body, nylon coupling nut
Conductors: 18 AWG high-flex stranded, PVC insulation, gold-plated contacts
Voltage/Current Rating: 250V ac/300V dc
Temperature: -40° to +80° C

Pinout	Style	Model	Length	Dimensions	Used With
 <p>Female</p> <p>1 = Brown 2 = White 3 = Blue 4 = Black</p>	Straight	MBCC-406	2 m		<ul style="list-style-type: none"> • Q45 dc sensors (suffix Q) • OMNI-BEAM dc power blocks • SM30 dc sensors • OTB w/solid-state output • STB with solid-state output
		MBCC-412	4 m		
		MBCC-430	9 m		

5-Pin Mini-Style Cables

Cable: PVC jacket, PUR (polyurethane) connector body, nylon coupling nut
Conductors: 18 AWG high-flex stranded, gold-plated contacts
Voltage Rating: 250V ac/300V dc
Temperature: -40° to +90° C

Pinout	Style	Model	Length	Dimensions	Used With
 <p>Female</p> <p>1 = Brown 2 = White 3 = Blue 4 = Black 5 = Yellow</p>	Straight	MBCC-506	2 m		<ul style="list-style-type: none"> • Q45 Laser Retro • OMNI-BEAM ac power blocks • OMNI-BEAM dc w/ e/m relay • OTB & LTB w/SPDT relay • Q45 5-wire ac • STB with e/m relay
		MBCC-512	4 m		
		MBCC-530	9 m		

BRACKETS

CABLES

RETROREFLECTORS

ENCLOSURES/
LENS SHIELDS

MISCELLANEOUS