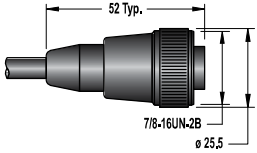
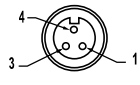
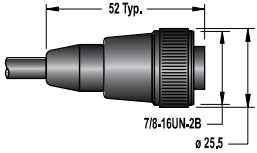
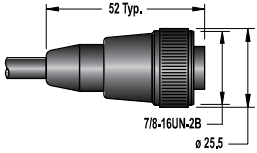
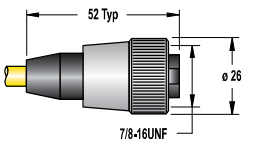
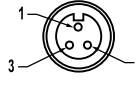
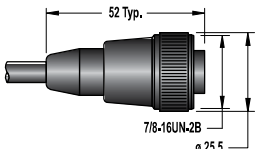
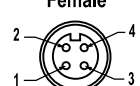


3-Pin Mini-Style Cordsets										
<p>Cable: PVC jacket, PUR (polyurethane) connector body, nylon coupling nut Conductors: 18 AWG, PVC insulation, gold-plated contacts Voltage/Current Rating: 300V ac/dc, 9.0 A Temperature: -40° to +80° C Environmental Rating: IP67</p>										
Style	Length	Model	Cable Diameter	Dimensions (mm)	Pinout	Used With				
Straight	1.83 m	MBCC-306	7.00 mm		<p>Female</p>  <p>1 = Brown 3 = Blue 4 = Black</p>	<ul style="list-style-type: none"> • Q45 • SMI30 Intrinsically safe dc sensors 				
	3.66 m	MBCC-312								
	9.14 m	MBCC-330								
Straight	1.83 m	SMICC-306			7.00 mm		<p>1 = Red/Black 3 = Red/White 4 = Green</p>	<ul style="list-style-type: none"> • SM30 2-wire ac sensors 		
	3.66 m	SMICC-312								
	9.14 m	SMICC-330								
Straight	1.83 m	SM30CC-306					7.00 mm		<p>1 = Red/Black 3 = Red/White 4 = Green</p>	<ul style="list-style-type: none"> • SM30 2-wire ac sensors
	3.66 m	SM30CC-312								

3-Pin Mini-Style Cordsets						
<p>Cable: PVC jacket, PUR (polyurethane) connector body, nickel-plated brass coupling nut Conductors: 18 AWG, PVC insulation, gold-plated contacts Voltage Rating: 250V ac/300 dc Temperature: -40° to +80° C Environmental Rating: IP67</p>						
Style	Length	Model	Cable Diameter	Dimensions (mm)	Pinout	Used With
Straight	4.75 m	QDS-315C	7.00 mm		<p>Female</p>  <p>1 = Green/Ye 2 = Brown 3 = Blue</p>	<ul style="list-style-type: none"> • EZ-SCREEN Emitters w/3-pin QD (Point & Grid)
	7.62 m	QDS-325C				
	15.2 m	QDS-350C				
	22.9 m	QDS-375C				
	30.5 m	QDS-3100C				

4-Pin Mini-Style Cordsets						
<p>Cable: PVC jacket, PUR (polyurethane) connector body, nylon coupling nut Conductors: 18 AWG, gold-plated contacts Voltage/Current Rating: 300V ac/dc, 9.0 A Temperature: -40° to +80° C Environmental Rating: IP67</p>						
Style	Length	Model	Cable Diameter	Dimensions (mm)	Pinout	Used With
Straight	1.83 m	MBCC-406	7.00 mm		<p>Female</p>  <p>1 = Brown 2 = White 3 = Blue 4 = Black</p>	<ul style="list-style-type: none"> • Q45 dc sensors (suffix Q) • OMNI-BEAM dc power blocks • SM30 dc sensors • OTB w/solid-state output • STB with solid-state output
	3.66 m	MBCC-412				
	9.14 m	MBCC-430				