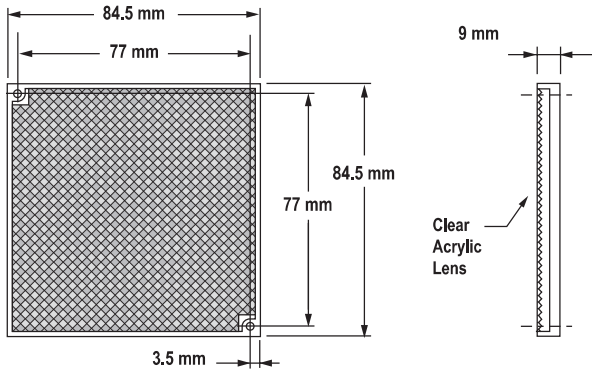


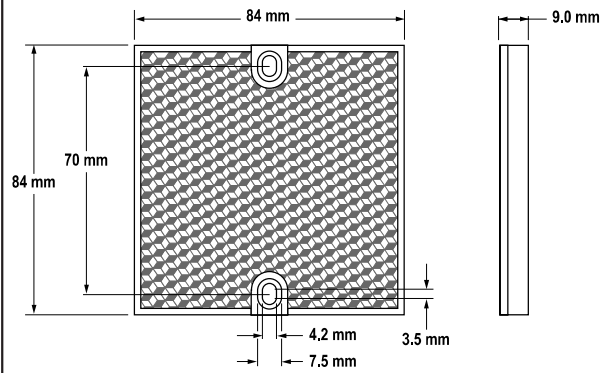
**BRT-77X77C**

Description: Square, acrylic target  
 Reflectivity Factor: 2.0  
 Max. Temperature: 50° C  
 Other: Optional brackets are available. See page 376.



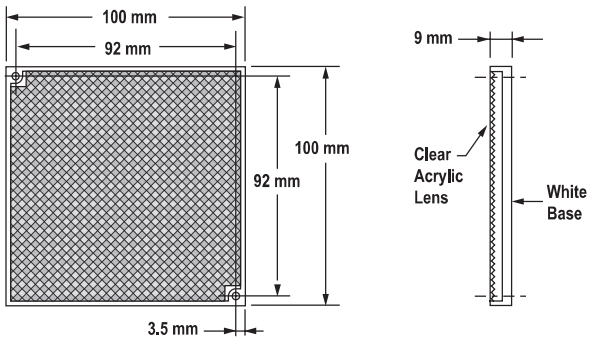
**BRT-84X84A**

Description: Square, acrylic target  
 Reflectivity Factor: 2.0  
 Max. Temperature: 50° C



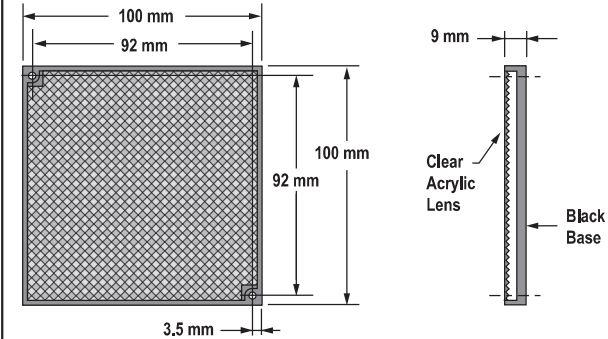
**BRT-92X92C**

Description: Square, acrylic target  
 Reflectivity Factor: 3.0  
 Max. Temperature: 50° C  
 Other: Optional brackets are available. See page 376.



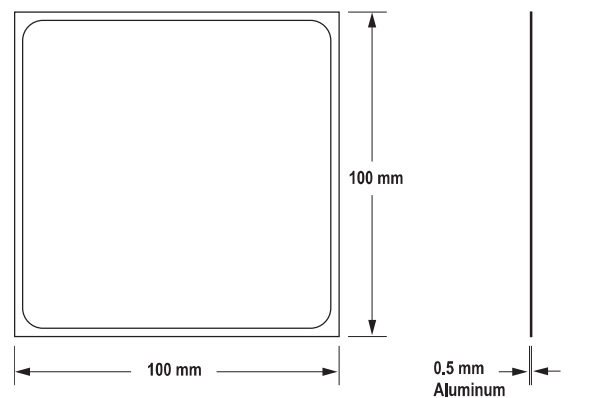
**BRT-92X92CB**

Description: Square, acrylic target with black mounting base  
 Reflectivity Factor: 3.0  
 Max. Temperature: 50° C  
 Other: Optional brackets are available. See page 376.



**BRT-4HT**

Description: Square, aluminum target  
 Reflectivity Factor: 0.15  
 Max. Temperature: 480° C  
 Other: This target is not recommended for polarized retroreflective sensors.



- BRT-250** • 250 x 250 mm
- BRT-540** • 540 x 540 mm
- BRT-700** • 700 x 700 mm

Other: Square reflector with rigid aluminum backing for use with LT7



BRACKETS  
 CABLES  
 RETROREFLECTORS  
 ENCLOSURES/  
 LENS SHIELDS  
 MISCELLANEOUS