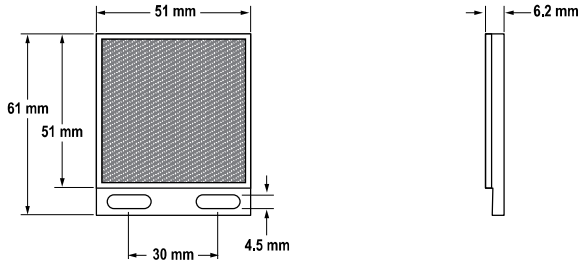


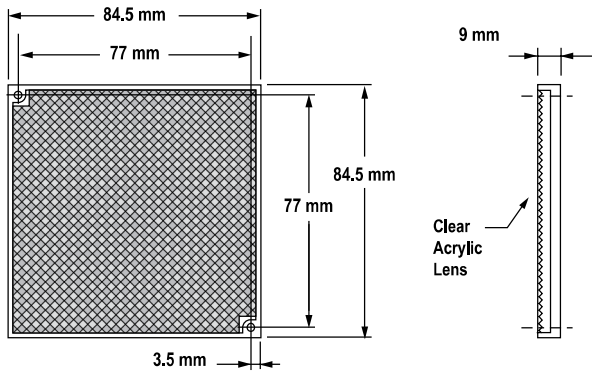
**BRT-51X51BM**

**Description:** Square, acrylic target  
**Reflectivity Factor:** 1.5    **Max. Temperature:** 50° C  
**Other:** This target has micro-prism geometry. Optional brackets are available on page 620. Replaces reflector BRT-36X40BM.



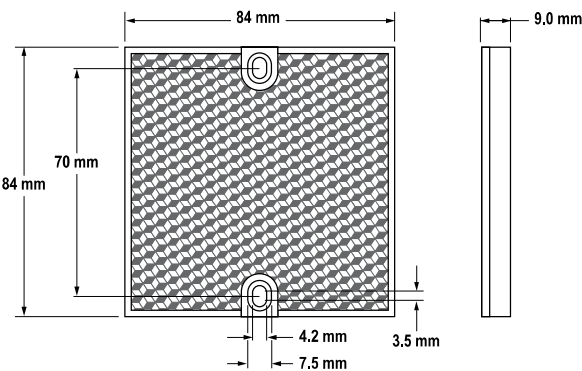
**BRT-77X77C**

**Description:** Square, acrylic target  
**Reflectivity Factor:** 2.0  
**Temperature:** -20° to +60° C  
**Other:** Optional brackets are available. See page 620.



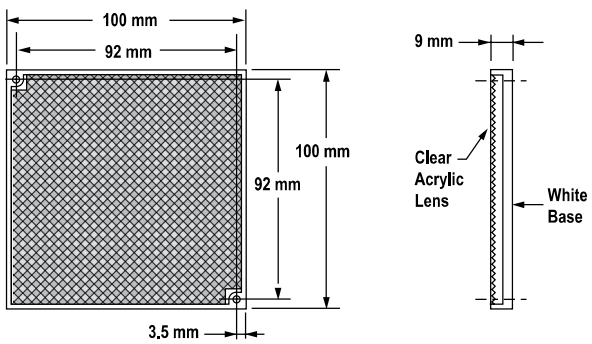
**BRT-84X84A**

**Description:** Square, acrylic target  
**Reflectivity Factor:** 2.0  
**Temperature:** -20° to +60° C



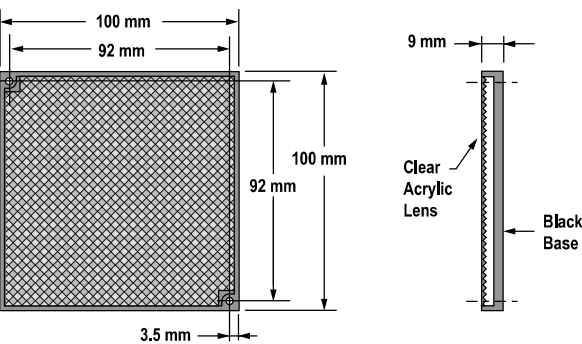
**BRT-92X92C**

**Description:** Square, acrylic target  
**Reflectivity Factor:** 3.0  
**Temperature:** -20° to +60° C  
**Other:** Optional brackets are available. See page 620.



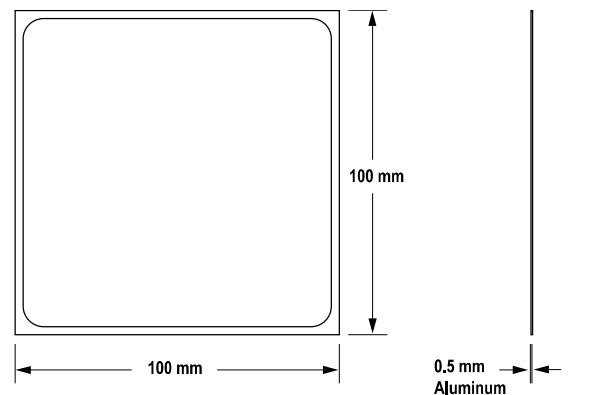
**BRT-92X92CB**

**Description:** Square, acrylic target with black mounting base  
**Reflectivity Factor:** 3.0  
**Max. Temperature:** 50° C  
**Other:** Optional brackets are available. See page 620.



**BRT-4HT**

**Description:** Square, aluminum target  
**Reflectivity Factor:** 0.15  
**Max. Temperature:** 480° C  
**Other:** This target is not recommended for polarized retroflective sensors.



More on next page