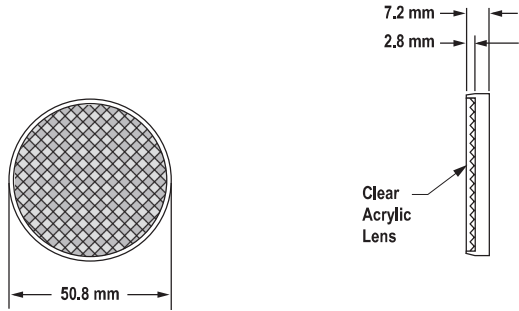


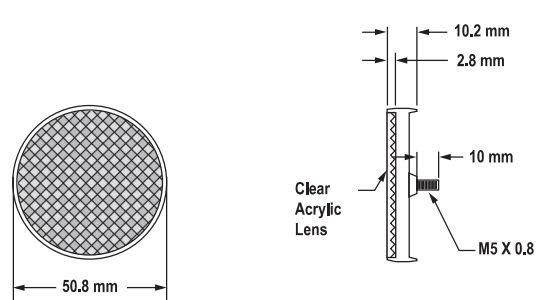
BRT-50

Description: Round, acrylic target
 Reflectivity Factor: 1.0
 Max. Temperature: 65° C



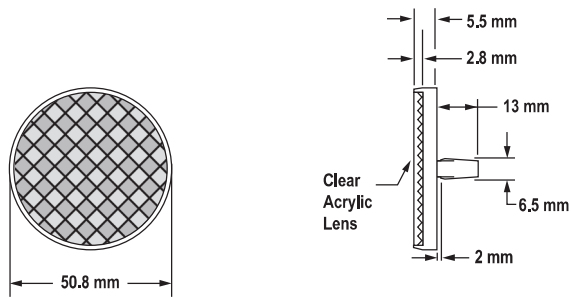
BRT-50D

Description: Round, acrylic target with mounting stud
 Reflectivity Factor: 1.0
 Max. Temperature: 65° C
 Other: Optional brackets are available. See page 376.



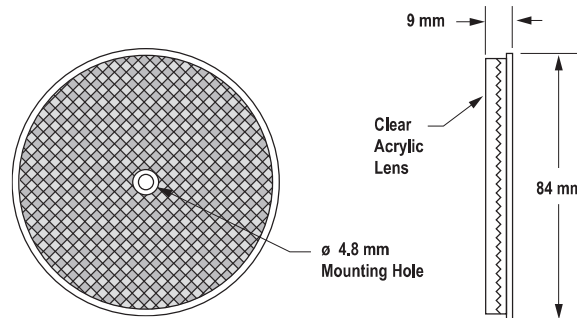
BRT-50R

Description: Round, rivet-secured acrylic target
 Reflectivity Factor: 1.0
 Max. Temperature: 50° C
 Other: Optional brackets are available. See page 376.



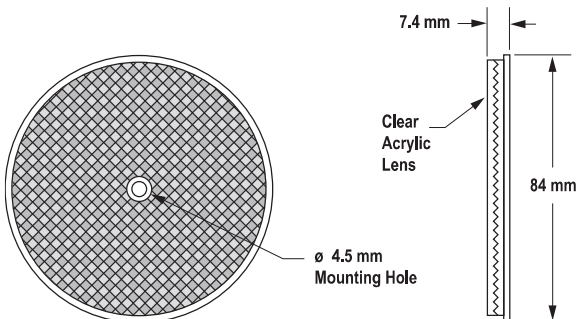
BRT-3

Description: Round, acrylic target
 Reflectivity Factor: 1.0
 Max. Temperature: 65° C
 Other: Optional brackets are available. See page 376.



BRT-84

Description: Round, acrylic target
 Reflectivity Factor: 1.4
 Max. Temperature: 65° C
 Other: Optional brackets are available. See page 376.



- BRACKETS
- CABLES
- RETROREFLECTORS
- ENCLOSURES/
LENS SHIELDS
- MISCELLANEOUS