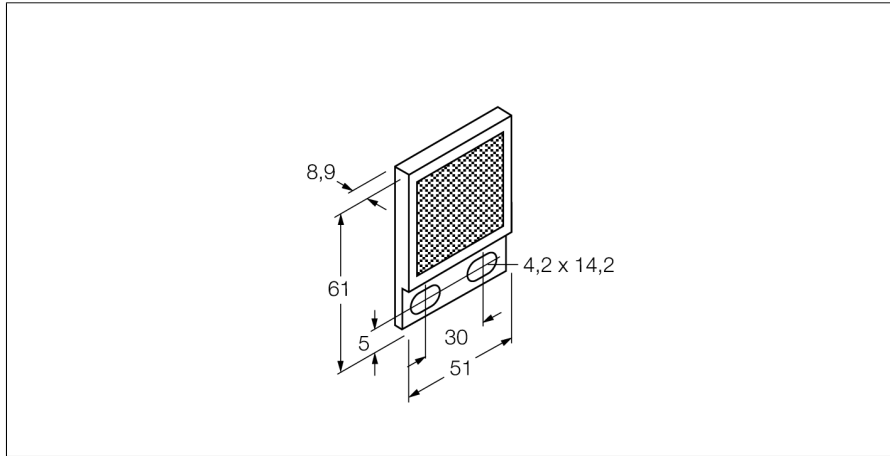


Accessories

Reflector

BRT-2X2



- Rectangular design
- reflective area 0.5
- Reflection coefficient 1
- (Reference BRT-3)

Functional principle

Retro-reflective sensors incorporate emitter and receiver in a single compact housing. The light beam of the emitter is directed towards a reflector which returns the light back to the receiver. An object is detected when it interrupts this beam. Retro-reflective sensors have a high function gain and good contrast performance. Further it is merely required to install and wire a single device.

| | |
|----------------------------|------------------------|
| Type designation | BRT-2X2 |
| Ident no. | 3040071 |
| Ambient temperature | -20...+60 °C |
| Construction | rectangular |
| Dimensions | 8.9 mm x 51 mm x 61 mm |
| Lens | plastic, acrylic |