



CATALOG NUMBER:	
JOB NAME:	
CUSTOMER NAME:	
NOTES:	TYPE:
	DATE:

**FEATURES AND SPECIFICATIONS**

**WALL LIGHTING**  
**WLMC13 SERIES**  
**13" CUT-OFF MEDIUM WALL LIGHT**

**Wattages:**

- Pulse Start: 70w - 150w Ⓢ
- High Pressure Sodium: 70w - 150w
- Fluorescent: 52w - 84w

**Construction:**

- Die Cast Aluminum Housing
- Face Frame Opens to the Side
- Threaded Apertures for Conduit & Photo Control
- Emergency Battery Backup Available

**Optics:**

- Borosilicate Glass Lens
- Reduces Light Pollution
- Reduces Light Trespass

**Electrical:**

- UL Listed for Wet Locations

**Specifications:**

- Overall height: 9.3" (23.62 cm)
- Width: 14.25" (36.19 cm)
- Weight: 16 lbs. / 7.25 kg.

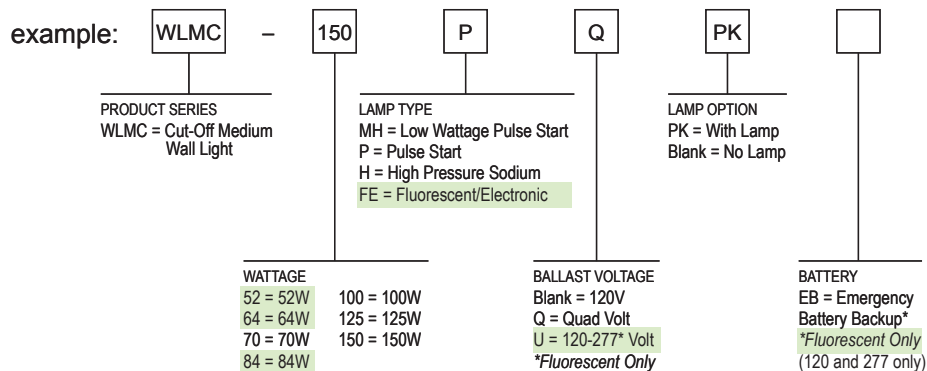


**ACCESSORIES**

210-008      WLMC Face Frame Assembly-Bronze

**ORDERING INFORMATION**

Choose the boldface catalog nomenclature that best suits your needs and write it on the appropriate line. Order accessories as separate catalog numbers (shipped separately).



Actual performance can vary depending on operating conditions. Specifications are subject to change without notice.

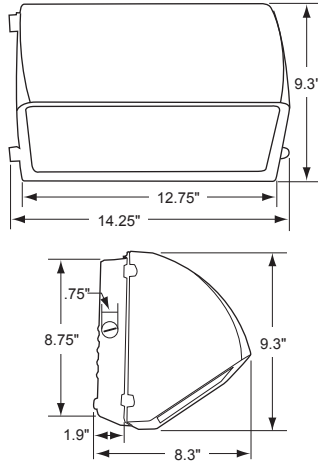
## DIMENSIONS

### Specifications:

**Overall height:**  
9.3" (23.62 cm)

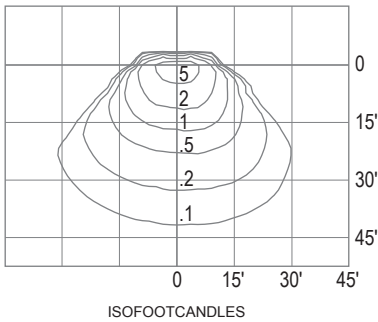
**Width:**  
14.25" (36.19 cm)

**Weight:**  
16 lbs. / 7.25 kg.

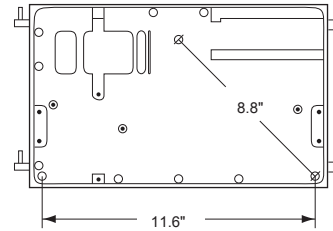


## PHOTOMETRICS

150W PS @ 15' Mounting Height



## MOUNTING DETAILS



Actual performance can vary depending on operating conditions. Specifications are subject to change without notice.

**ATLAS LIGHTING PRODUCTS, INC.**

PO BOX 2348 | BURLINGTON, NC 27216

800-849-8485 | FAX: 336-227-0110 | [www.atlaslightingproducts.com](http://www.atlaslightingproducts.com)