



CATALOG NUMBER: _____

JOB NAME: _____

CUSTOMER NAME: _____

NOTES: _____

TYPE: _____

DATE: _____

FEATURES AND SPECIFICATIONS

WALL LIGHTING
WLG11 SERIES
 11" WALL LIGHT WITH GLASS LENS

Wattages:

- Pulse Start: 50w - 100w
- High Pressure Sodium: 50w - 100w
- Fluorescent: 52w - 84w

Construction:

- Die Cast Aluminum Housing
- Aluminum Base Plate with Conduit Access

Optics:

- Borosilicate Glass Lens

Electrical:

- UL Listed for Wet Locations

Specifications:

- Overall height: 12.94" (32.86 cm)
- Width: 7.85" (19.94 cm)
- Weight: 13 lbs. / 5.89 kg.



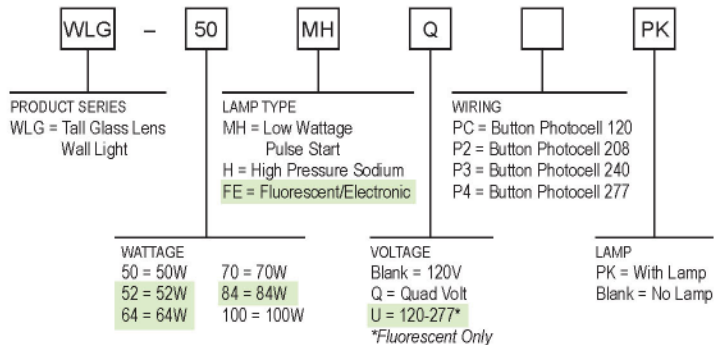
ACCESSORIES

- 130-004** WLG Lens with Gasket
- 230-002** Button 120V Photo Control
- 230-008** Button 208-277V Photo Control

ORDERING INFORMATION

Order accessories as separate catalog numbers (shipped separately).

example:



Actual performance can vary depending on operating conditions. Specifications are subject to change without notice.

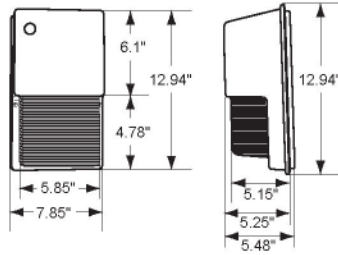
DIMENSIONS

Specifications:

Overall height:
12.94" (32.86 cm)

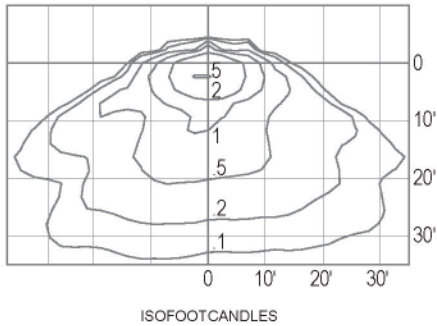
Width:
7.85" (19.94 cm)

Weight:
13 lbs. / 5.89 kg.

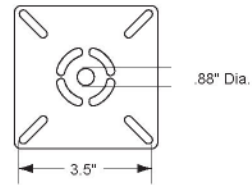


PHOTOMETRICS

100W PS @ 10' Mounting Height



MOUNTING DETAILS



Actual performance can vary depending on operating conditions. Specifications are subject to change without notice.

ATLAS LIGHTING PRODUCTS, INC.

PO BOX 2348 | BURLINGTON, NC 27216

800-849-8485 | FAX: 336-227-0110 | www.atlaslightingproducts.com