



CATALOG NUMBER:	
JOB NAME:	
CUSTOMER NAME:	
NOTES:	TYPE:
	DATE:

**FEATURES AND SPECIFICATIONS**

**WALL LIGHTING**

**WLG11 SERIES**

**11" WALL LIGHT WITH GLASS LENS**

**Wattages:**

Pulse Start: 50w - 100w

High Pressure Sodium: 50w - 100w

Fluorescent: 52w - 84w

**Construction:**

Die Cast Aluminum Housing

Aluminum Base Plate with Conduit Access

**Optics:**

Borosilicate Glass Lens

**Electrical:**

UL Listed for Wet Locations

**Specifications:**

Overall height: 12.94" (32.86 cm)

Width: 7.85" (19.94 cm)

Weight: 13 lbs. / 5.89 kg

**Warranty:**

Atlas Lighting Products provides a 3 year limited warranty for this product.

A full warranty can be found at [www.alpinc.com](http://www.alpinc.com).



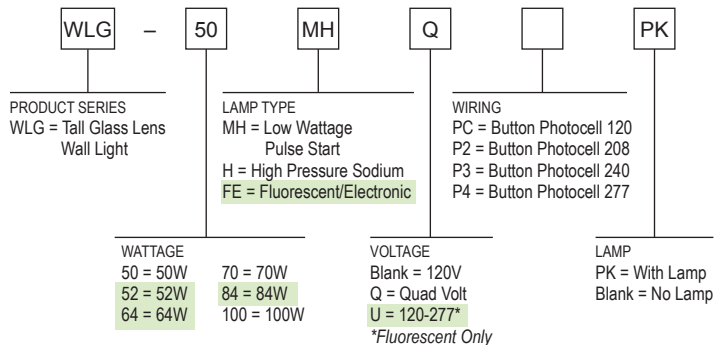
**ACCESSORIES**

- 130-004** WLG Lens with Gasket
- 230-002** Button 120V Photo Control
- 230-008** Button 208-277V Photo Control

**ORDERING INFORMATION**

Order accessories as separate catalog numbers (shipped separately).

example:



Actual performance can vary depending on operating conditions. Specifications are subject to change without notice.

**ATLAS LIGHTING PRODUCTS, INC.**

PO BOX 2348 | BURLINGTON, NC 27216

800-849-8485 | FAX: 336-227-0110 | [www.atlaslightingproducts.com](http://www.atlaslightingproducts.com)

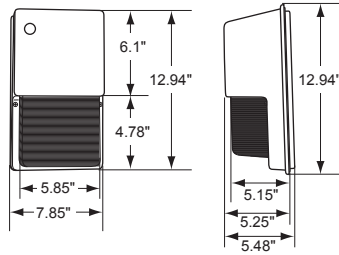
## DIMENSIONS

### Specifications:

**Overall height:**  
 12.94" (32.86 cm)

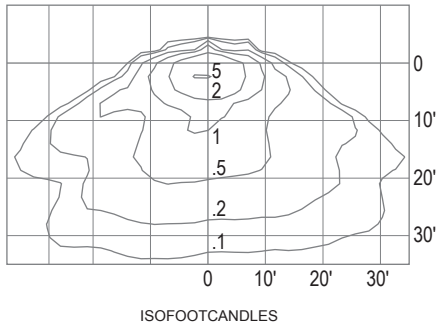
**Width:**  
 7.85" (19.94 cm)

**Weight:**  
 13 lbs. / 5.89 kg.

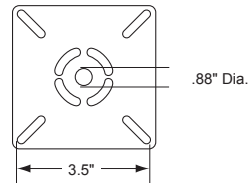


## PHOTOMETRICS

100W PS @ 10' Mounting Height



## MOUNTING DETAILS



Actual performance can vary depending on operating conditions. Specifications are subject to change without notice.

**ATLAS LIGHTING PRODUCTS, INC.**

PO BOX 2348 | BURLINGTON, NC 27216

800-849-8485 | FAX: 336-227-0110 | [www.atlaslightingproducts.com](http://www.atlaslightingproducts.com)