



CATALOG NUMBER:	
JOB NAME:	
CUSTOMER NAME:	
NOTES:	TYPE:
	DATE:

FEATURES AND SPECIFICATIONS

WALL LIGHTING
WLDC18 SERIES
18" CUT-OFF WALL LIGHT

Wattages:

Pulse Start: 200w - 250w Ⓢ
 High Pressure Sodium: 250w

Construction:

Die Cast Aluminum Housing
 Face Frame Opens to the Side
 Shallow Back Design
 Threaded Apertures for Conduit & Photo Control

Optics:

Reduces Light Pollution
 Reduces Light Trespass

Electrical:

UL Listed for Wet Locations

Specifications:

Overall height: 9.1" (23.114 cm)
 Width: 18.2" (46.21 cm)
 Weight: 32 lbs / 14.51 kg.

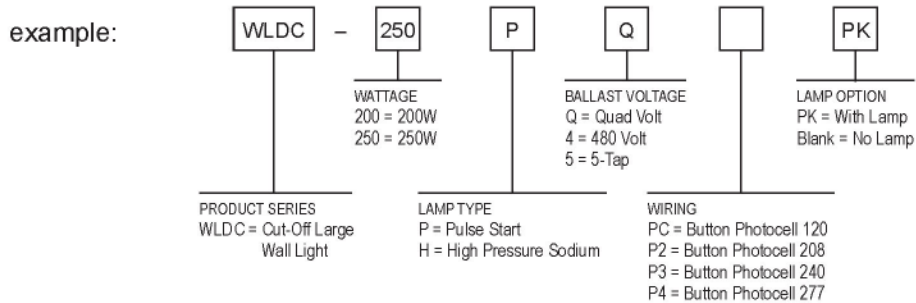


ACCESSORIES

- 320-017** Full Cut-Off Shield for WLDC-Bronze
- 210-006** Face Frame Assembly for WLDC-Bronze
- 230-002** Button 120V Photo Control
- 230-008** Button 208-277V Photo Control

ORDERING INFORMATION

Order accessories as separate catalog numbers (shipped separately).



Actual performance can vary depending on operating conditions. Specifications are subject to change without notice.

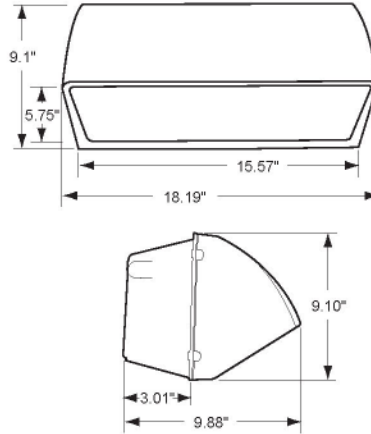
DIMENSIONS

Specifications:

Overall height:
9.1" (22.88 cm)

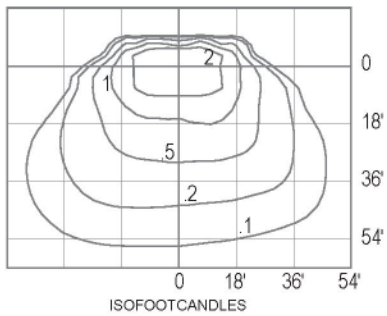
Width:
18.2" (46.21 cm)

Weight:
32 lbs. / 14.51 kg.

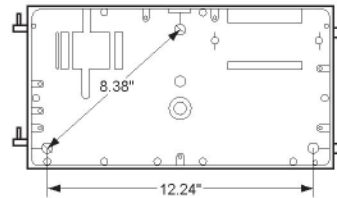


PHOTOMETRICS

250W PS @ 18' Mounting Height



MOUNTING DETAILS



Actual performance can vary depending on operating conditions. Specifications are subject to change without notice.