

WLD 18" Die Cast

200 - 250 watts
PS | HPS

SERIES

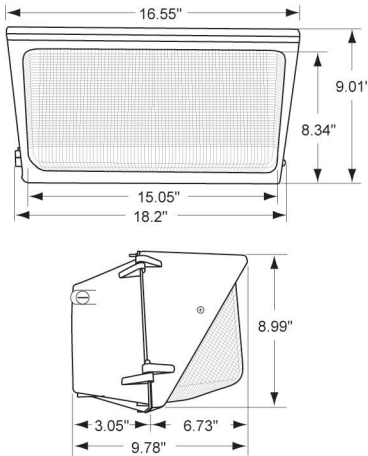
Wall Lighting

18" Die Cast

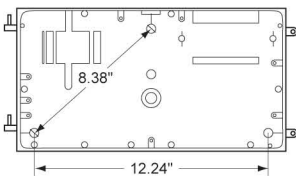


- Die Cast Aluminum Housing
- Borosilicate Glass Lens
- High Output Full Reflector
- Face Frame Opens to the Side
- Shallow Back Design
- Threaded Apertures for Conduit & Photo Control

Dimensions

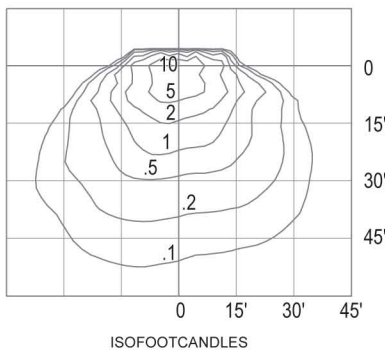


Mounting Detail



Photometrics

250W PS @ 15' Mounting Height



quick SHIP Products

CATALOG #	DESCRIPTION	VOLTS	BALLAST TYPE	LAMP
Pulse Start				
Ⓜ WLD-250PQPK	250 watt PS	Quad	CWA	MS250/H
High Pressure Sodium				
WLD-250HQPK	250 watt HPS	Quad	CWA	C250S50

Ordering Format

example:

