

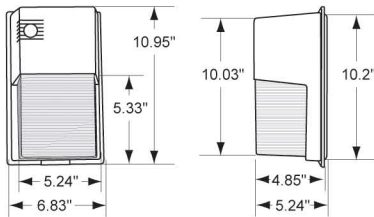
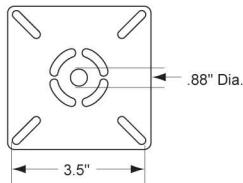
WL**11" Polycarbonate
with Polycarbonate Lens****26 - 70 watts
HPS | FL****SERIES**

- Polycarbonate Housing
- Polycarbonate Lens
- Aluminum Base Plate with Conduit Access
- Corrosion Resistant
- UL Listed for Wet Locations

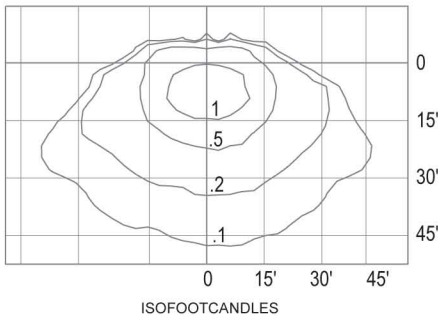
**quick SHIP Products**

CATALOG #	DESCRIPTION	VOLTS	BALLAST TYPE	LAMP
High Pressure Sodium				
WL-50HPK	50 watt HPS	120	R-NPF	C50S68/M
WL-50HPCPK(1)	50 watt HPS	120	R-NPF	C50S68/M
WL-70HPK	70 watt HPS	120	R-NPF	C70S62/M
WL-70HPCPK(1)	70 watt HPS	120	R-NPF	C70S62/M
Fluorescent				
WL-26FLPK	26 watt FL	120	Prog. Start	(2) PLT13W/41
WL-26FLPCPK(1)	26 watt FL	120	Prog. Start	(2) PLT13W/41

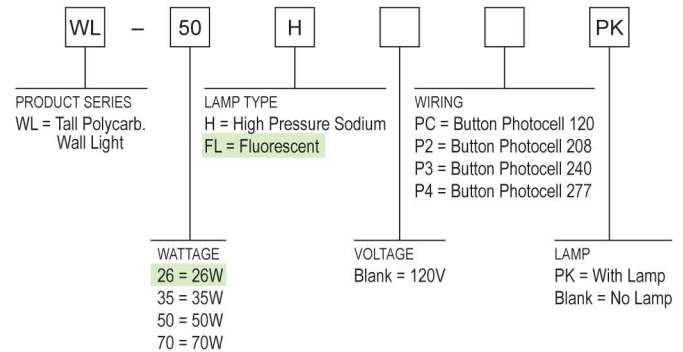
Notes: (1) includes photo control

Dimensions**Mounting Detail****Photometrics**

70W HPS @ 15' Mounting Height

**Ordering Format**

example:

**Incandescent vs. Fluorescent**

	100w Incandescent	26w FL
Lamp Life	1,000 hrs	12,000 hrs
Start Up Time	Instant	Instant
Restrike Time	Instant	Instant
CRI	100	82
Color Temperature	2,700k	4,100k
Initial Lumens	1,720	1,800
Mean Lumens	1,600	1,550
Mean Lumens/Watt	16	59.6
Watts/Fixture	100	26
Cost/Year*	\$23.36	\$6.07

*Based On: 8 hours per day | 365 days per year | \$0.08 per kWh

Wall Lighting**11" Polycarbonate with Polycarbonate Lens**