

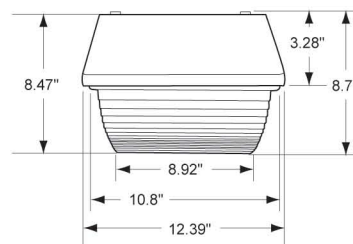
- Die Cast Aluminum Housing
- UV Stabilized Injection Molded Lens
- Threaded Conduit Access
- Tamper Proof Screws Available
- UL Listed for Damp Locations



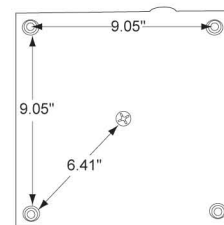
quick SHIP Products

CATALOG #	DESCRIPTION	VOLTS	BALLAST TYPE	LAMP
Pulse Start				
VN12-70MHQPK	70 watt PS	Quad	HX-HPF	MH70/U/M
VN12-100MHQPK	100 watt PS	Quad	HX-HPF	MH100/U/M
High Pressure Sodium				
VN12-100HQPK	100 watt HPS	Quad	HX-HPF	C100S54/M
VN12-150HPK	150 watt HPS	120	R-NPF	C150S55/M
VN12-150HQPK	150 watt HPS	Quad	HX-HPF	C150S55/M
Fluorescent				
VN12-84FEUPK	84 watt FL	Univ.	Prog. Start	(2) PLT42W/41

Dimensions



Mounting Detail

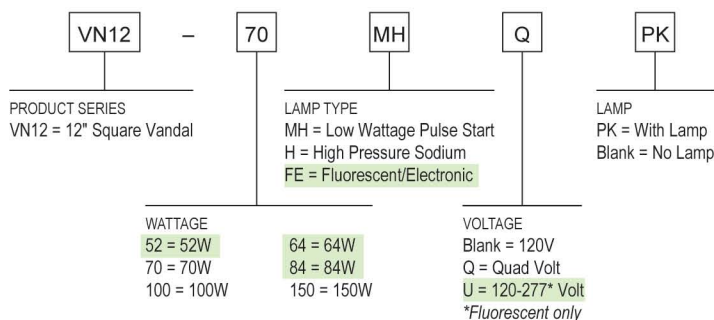


Accessories

CATALOG #	DESCRIPTION	STD. PKG.
120-006GE	Clear Prismatic Diffuser	1
TPS143-4	Tamper Proof Screws	1
80-142	Tamper Proof Screw Tool	1

Ordering Format

example:



MH vs. Fluorescent

	100w MH	84w FL
Lamp Life	10,000 hrs	12,000 hrs
Start Up Time	3-5 minutes	Instant
Restrike Time	15-20 minutes	Instant
CRI	70	82
Color Temperature	4,200k	4,100k
Initial Lumens	7,800	6,400
Mean Lumens	5,600	5,500
Lumens/Watt	43.4	65.52
Watts/Fixture	129	84
Cost/Year*	\$30.13	\$19.62

*Based On: 8 hours per day | 365 days per year | \$0.08 per kWh

