



CATALOG NUMBER:	
JOB NAME:	
CUSTOMER NAME:	
NOTES:	TYPE:
	DATE:

**FEATURES AND SPECIFICATIONS**

**VANDALS**  
**VN12 SERIES**  
**12" SQUARE VANDAL**

**Wattages:**

- Pulse Start: 70w - 100w
- High Pressure Sodium: 70w - 150w
- Fluorescent: 52w - 84w

**Construction:**

- Die Cast Aluminum Housing
- Threaded Conduit Access

**Optics:**

- UV Stabilized Injection Molded Lens
- GE Lexan Material Greatly Reduces Yellowing

**Electrical:**

- UL Listed for Damp Locations

**Options:**

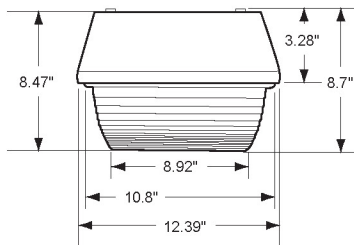
- Tamper Proof Screws Available

**Specifications:**

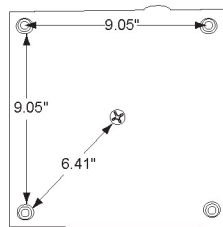
- Overall height: 8.7" (2.09 cm)
- Width: 12.39" (31.46 cm)
- Weight: 18 lbs. / 8.16 kg.



**DIMENSIONS**



**MOUNTING DETAIL**



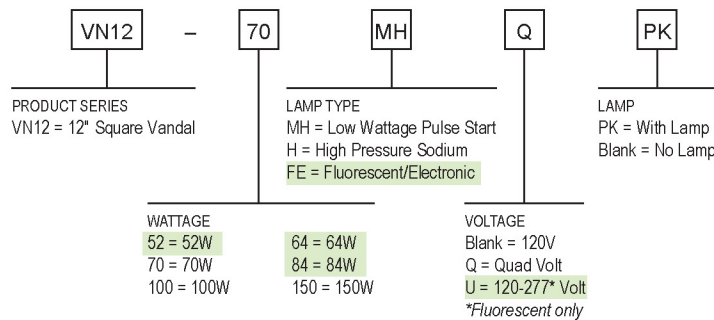
**ACCESSORIES**

- 120-006GE Clear Prismatic Diffuser
- TPS143-4 Tamper Proof Screws
- 80-142 Tamper Proof Screw Tool

**ORDERING INFORMATION**

Order accessories as separate catalog numbers (shipped separately).

example:



Actual performance can vary depending on operating conditions. Specifications are subject to change without notice.