

Atlas

Lighting Products

CATALOG NUMBER:

JOB NAME:

CUSTOMER NAME:

NOTES:

TYPE:

DATE:

FEATURES AND SPECIFICATIONS

VAPOR TIGHT IVW SERIES WALL MOUNT

Wattages:

Incandescent: 200w - 300w

Construction:

- Die Cast Housing
- Wall Bracket with Built In Junction Box
- Threaded Conduit Access
- Threaded Die Cast Guard
- Stainless Steel Locking Screw

Optics:

Heat & Impact Resistant Clear Glass Globe

Specifications:

IVW200

Overall height: 12.55" (31.88 cm)

Width: 4.15" (10.54 cm)

Weight: 4.0 lbs / 1.81 kg.

IVW300

Overall height: 14.85" (37.72 cm)

Width: 5.68" (14.42 cm)

Weight: 4.5 lbs. / 2.04 kg.

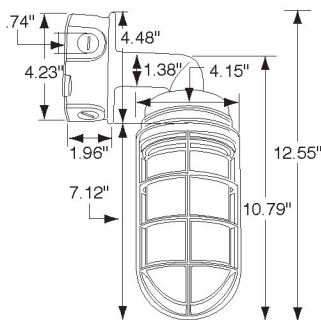


ACCESSORIES

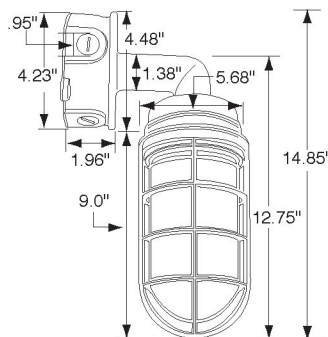
- VSS200 Straight Shield for 200w
- VSS300 Straight Shield for 300w
- VSA200 Angled Shield for 200w
- VSA300 Angled Shield for 300w
- VWGS Wireguard for Straight Shield
- VWGA Wireguard for Angled Shield
- VDG200 200w Replacement Die Cast Guard
- VDG300 300w Replacement Die Cast Guard
- VG200 200w Replacement Glass Globe
- VG300 300w Replacement Glass Globe

DIMENSIONS

Incandescent:
200W



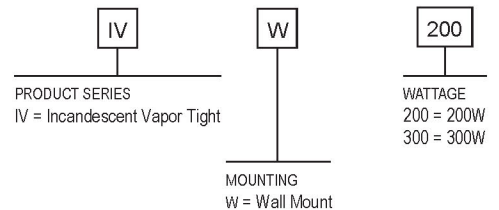
Incandescent:
300W



ORDERING INFORMATION

Order accessories as separate catalog numbers (shipped separately).

example:



Actual performance can vary depending on operating conditions. Specifications are subject to change without notice.

ATLAS LIGHTING PRODUCTS, INC.

PO BOX 2348 | BURLINGTON, NC 27216

800-849-8485 | FAX: 336-227-0110 | www.atlaslightingproducts.com