



CATALOG NUMBER: _____

JOB NAME: _____

CUSTOMER NAME: _____

NOTES: _____

TYPE: _____

DATE: _____



FEATURES AND SPECIFICATIONS

FLUORESCENT INDUSTRIAL LIGHTING

IFS SERIES

4 LAMP T5 | T8 FULL BODIED HIGH BAY

Construction:

Full Bodied 20 Gauge Housing
Provides Protection for Optical Assembly
Post Painted Polyester Coat Finish

Optics:

Miro-4 or White Reflector
Hinged Optics for Access Without Removal of Lamps or Reflector
Inline Fusing Available

Electrical

T5 or T8 Offering
Suitable for 50° Ambient Operation
Quick Wire Access Panel

Mounting

Options Include:
Chain, Cable, Toggle or Pendant Mounting

Specifications:

Overall height: 3.875" (9.84 cm)
Width: 12.625" (32.06 cm)
Length: 48.25" (122.55 cm)
Weight: 14 lbs / 6.35 kg

Input Watts:

T5: 241 Input Watts
T8: 144 Input Watts

Warranty:

Atlas Lighting Products provides a 3 year limited warranty for this product.
A full warranty can be found at www.alpinc.com

Fixture Efficiency >90%



Miro-4 ≥ 95% Reflectance

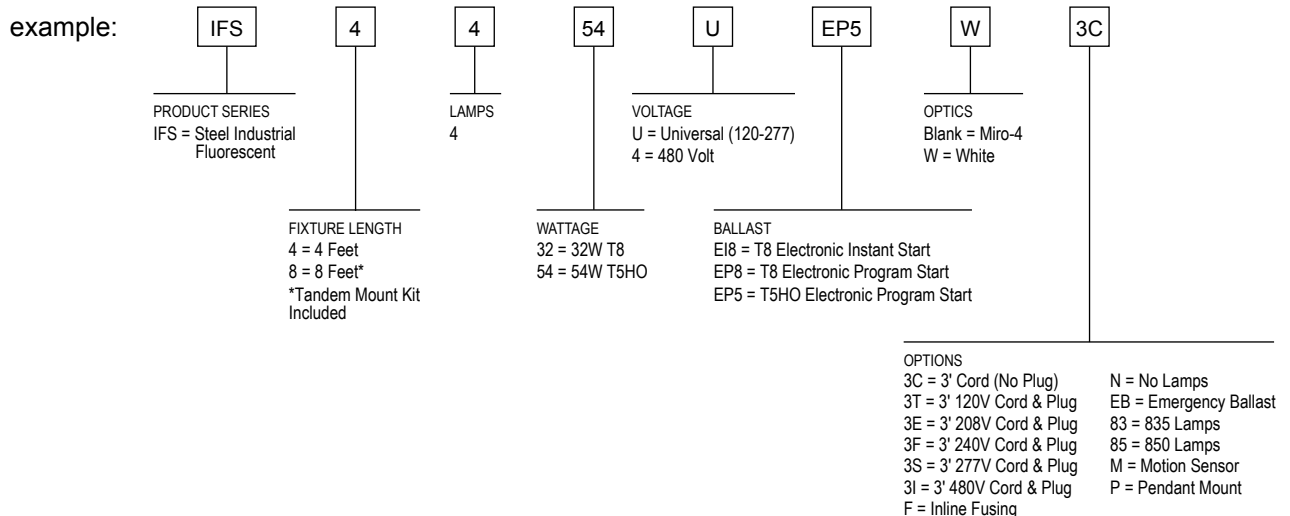


ACCESSORIES

CH36	36" Chain Set
CH36HFC	36" Chain Set w/ Hammer-On Flange Clip
CA36	36" Cable Set
280-255-S	Tandem Mounting Kit
PMK	Pendant Mount Kit
TM36	Toggle Mount Kit
MS360	360° Motion Sensor
WG34	Wireguard for 4 Lamp Titan Units
LFP34-125	Prismatic Lens for 4 Lamp Titan Units
LFC34-125	Clear Lens for 4 Lamp Titan Units

ORDERING INFORMATION

Order accessories as separate catalog numbers (shipped separately).



Actual performance can vary depending on operating conditions. Specifications are subject to change without notice.

ATLAS LIGHTING PRODUCTS, INC.

PO BOX 2348 | BURLINGTON, NC 27216

800-849-8485 | FAX: 336-227-0110 | www.atlaslightingproducts.com

DIMENSIONS

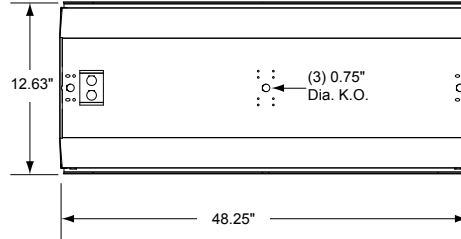
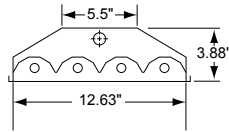
Specifications:

Overall height:
3.875" (9.84 cm)

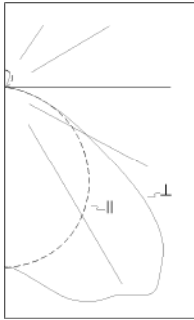
Width:
12.625" (32.06 cm)

Length:
48.25" (122.55 cm)

Weight:
14 lbs / 6.35 kg.



PHOTOMETRICS



IFS4432-W
(1) Electronic Ballasts
(4) F32T8/741 32W lamps
2800 lumens
Spacing Criteria:
(0 - 180) 1.28
(90 - 270) 1.34
(Diagonal) 1.42
Efficiency 87.2%
Test Report:
IFS4432W.IES
LER = 76
Yearly Cost of 1000 lumens, 3000 hrs at .08 KWH = \$2.90

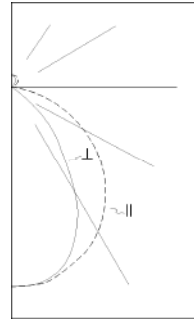
Angle	Along II	45°	Across I
0	3106	3106	3106
5	3107	3087	3082
10	3070	3056	3054
15	3004	2999	3006
20	2912	2918	2936
25	2795	2811	2843
30	2658	2686	2741
35	2503	2545	2639
40	2331	2394	2519
45	2144	2236	2353
50	1940	2065	2141
55	1722	1855	1895
60	1493	1598	1645
65	1262	1320	1381
70	1008	1057	1115
75	713	782	849
80	450	513	531
85	203	223	206
90	0	0	0

Coefficients of Utilization

rc	Effective Floor Cavity Reflectance 0.20																				
	80%				70%				50%				30%				10%				0%
rw	70	50	30	10	70	50	30	10	50	30	10	50	30	10	50	30	10	50	30	10	0
CR	0	104	104	104	104	101	101	101	101	97	97	97	93	93	93	89	89	89	87		
	1	94	90	86	82	92	88	84	81	84	81	78	81	78	76	77	75	74	72		
	2	85	78	71	66	83	76	70	65	73	68	64	70	66	62	67	64	61	59		
	3	77	68	60	54	75	66	59	54	64	58	53	61	56	52	59	55	51	49		
	4	71	60	52	46	69	59	51	45	56	50	45	54	49	44	52	48	43	42		
	5	65	53	45	39	63	52	45	39	50	44	38	49	43	38	47	42	38	36		
	6	60	48	40	34	58	47	39	34	45	39	33	44	38	33	42	37	33	31		
	7	55	43	35	30	54	42	35	30	41	34	29	40	34	29	39	33	29	27		
	8	51	39	32	27	50	39	31	26	38	31	26	36	30	26	35	30	26	24		
	9	48	36	29	24	47	36	29	24	35	28	24	34	28	23	33	27	23	22		
	10	45	33	26	21	44	33	26	21	32	26	21	31	25	21	30	25	21	20		

Zonal Lumen Summary

Zone	Lumens	%Lamp	%Fixture
0-30	2442.49	21.8	25
0-40	4044.96	36.1	41.4
0-60	7397.41	66	75.8
0-90	9765.51	87.2	100
0-180	9765.51	87.2	100



IFS4454-W
(1) Electronic Ballasts
(4) F54T5/841H0 54W T5 lamps
4500 lumens
Spacing Criteria:
(0 - 180) 1.28
(90 - 270) 1.34
(Diagonal) 1.44
Efficiency 89.7%
Test Report:
IFS4454W.IES
LER = 134
Yearly Cost of 1000 lumens, 3000 hrs at .08 KWH = \$3.54

Angle	Along II	45°	Across I
0	9562	9562	9562
5	9568	9517	9504
10	9454	9454	9466
15	9268	9308	9372
20	9005	9098	9163
25	8668	8781	8862
30	8272	8390	8512
35	7820	7945	8111
40	7305	7437	7590
45	6731	6868	6925
50	6114	6227	6170
55	5427	5460	5345
60	4643	4607	4631
65	3837	3747	3737
70	2960	2940	2751
75	2003	1975	1534
80	1154	895	764
85	328	294	320
90	0	0	0

Coefficients of Utilization

rc	Effective Floor Cavity Reflectance 0.20																				
	80%				70%				50%				30%				10%				0%
rw	70	50	30	10	70	50	30	10	50	30	10	50	30	10	50	30	10	50	30	10	0
CR	0	123	123	123	123	120	120	120	120	115	115	115	110	110	110	106	106	106	104		
	1	113	108	103	99	110	105	101	98	101	97	94	97	94	92	93	91	89	87		
	2	102	94	86	80	99	92	85	79	88	82	78	84	80	76	81	77	74	72		
	3	93	82	73	66	90	80	72	66	77	70	65	74	68	64	72	67	62	60		
	4	85	72	63	56	83	71	62	56	68	61	55	66	59	54	64	58	53	51		
	5	78	64	55	48	76	63	54	48	61	53	47	59	52	47	57	51	46	44		
	6	72	58	49	42	70	57	48	42	55	47	41	53	46	41	52	45	40	38		
	7	67	52	43	37	65	52	43	37	50	42	36	48	41	36	47	41	36	34		
	8	62	48	39	33	60	47	38	33	46	38	32	44	37	32	43	37	32	30		
	9	58	44	35	29	56	43	35	29	42	34	29	41	34	29	40	33	29	27		
	10	54	40	32	27	53	40	32	26	39	31	26	38	31	26	37	31	26	24		

Zonal Lumen Summary

Zone	Lumens	%Lamp	%Fixture
0-30	7590.25	27.1	26.2
0-40	12572.72	44.9	43.3
0-60	22725.85	81.2	78.4
0-90	29003.16	103.6	100
0-180	29003.16	103.6	100

Actual performance can vary depending on operating conditions. Specifications are subject to change without notice.