



CATALOG NUMBER:	
JOB NAME:	
CUSTOMER NAME:	
NOTES:	TYPE:
	DATE:

FEATURES AND SPECIFICATIONS

EXIT & EMERGENCY LIGHTING
EMAMRWP SERIES
WEATHER PROOF EMERGENCY LIGHT

- Construction:**
 Flame-Retardant High Impact Thermoplastic Housing
 Two Adjustable MR16 Heads
 Compact Low Profile Design
 Universal Mounting Plate
- Electrical:**
 UL Listed for Wet Locations
 120/277 VAC Dual Rated
 6-Volt Rechargeable Battery
 Provides 90 Minutes of Power
 Sealed Lead Acid Battery
 Automatic, Low-Voltage Disconnect
 Push to Test Switch
 Power "On" LED Indicator Light

Specifications:
 Dimensions: 5.70"h x 14.90"w x 4.2"d

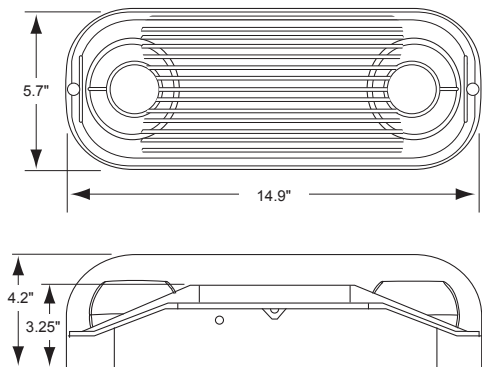
Warranty:
 Atlas Lighting Products provides a 3 year limited warranty for this product.
 A full warranty can be found at www.alpinc.com.



ORDERING INFORMATION

Catalog #	Housing Finish	Battery	Voltage	Lamp Wattage	Emergency Operation
EMAMRWP	White	Sealed Lead	6v	2x7w	90 min.

DIMENSIONS



Actual performance can vary depending on operating conditions. Specifications are subject to change without notice.