



CATALOG NUMBER:	
JOB NAME:	
CUSTOMER NAME:	
NOTES:	TYPE:
	DATE:

**FEATURES AND SPECIFICATIONS**

**SECURITY LIGHTING**  
**DD SERIES**  
 DUSK TO DAWN

**Wattages:**  
 High Pressure Sodium: 150w

**Construction:**  
 Die Cast Aluminum Housing

**Optics:**  
 12" Reflector/Refractor

**Electrical:**  
 UL Listed for Wet Locations  
 Twist-Lock Photo Control

**Mounting:**  
 24" Mounting Arm

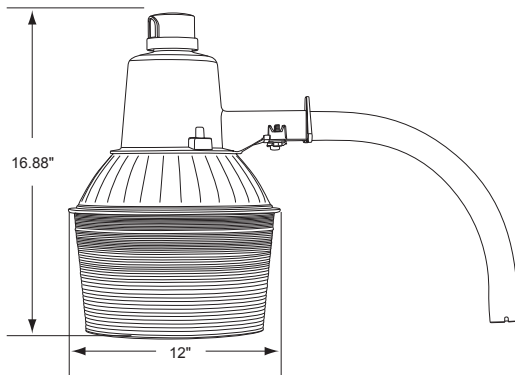
**Specifications:**  
 Dimensions: 16.88"h x 12"w x 12"d



**ACCESSORIES**

- 250-024 12" Reflector w/ Refractor
- 230-010 Shorting Cap
- 230-009 Twist Lock Photo Control, 120V

**DIMENSIONS**



**ORDERING INFORMATION**

Catalog #	Description	Volts	Type	Lamp
<b>High Pressure Sodium</b>				
DD150HPS	150 watt HPS	120	R-NPF	C150S55

Actual performance can vary depending on operating conditions. Specifications are subject to change without notice.