



CATALOG NUMBER:	
JOB NAME:	
CUSTOMER NAME:	
NOTES:	TYPE:
	DATE:

FEATURES AND SPECIFICATIONS

SECURITY LIGHTING
DD SERIES
 DUSK TO DAWN

Wattages:
 Pulse Start: 100w

Construction:
 Die Cast Aluminum Housing

Optics:
 12" Reflector/Refractor

Electrical:
 UL Listed for Wet Locations
 Twist-Lock Photo Control

Mounting:
 24" Mounting Arm

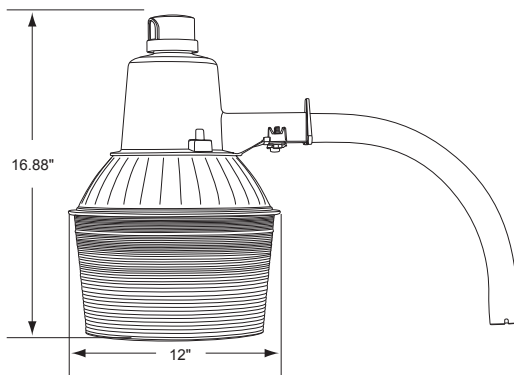
Specifications:
 Dimensions: 16.88"h x 12"w x 12"d
 Weight: 10.8 lbs.



ACCESSORIES

- 250-024 12" Reflector w/ Refractor
- 230-010 Shorting Cap
- 230-009 Twist Lock Photo Control, 120V

DIMENSIONS



ORDERING INFORMATION

Catalog #	Description	Volts	Type	Lamp
Pulse Start				
DD100MH	100 watt PS	120	HX-NPF	MH100/U/M/P

Actual performance can vary depending on operating conditions. Specifications are subject to change without notice.