



CATALOG NUMBER: 320-019	
JOB NAME:	
CUSTOMER NAME:	
NOTES:	TYPE:
	DATE:

**FEATURES AND SPECIFICATIONS**

**FLOOD LIGHTING**  
**ACCESSORIES**  
**GLARE SHIELD**

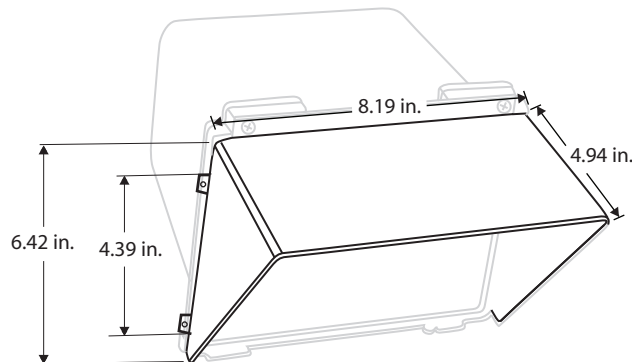
**Construction:**  
Die Cast  
Bronze

**Description:**  
Glare Shield for FL Series



**ORDERING INFORMATION**

Catalog #	Description	Finish	Std. Pkg.
320-019	Glare Shield for FL Series	Bronze	1



Actual performance can vary depending on operating conditions. Specifications are subject to change without notice.

**ATLAS LIGHTING PRODUCTS, INC.**

PO BOX 2348 | BURLINGTON, NC 27216  
800-849-8485 | FAX: 336-227-0110 | [www.atlaslightingproducts.com](http://www.atlaslightingproducts.com)