



CATALOG NUMBER:	
JOB NAME:	
CUSTOMER NAME:	
NOTES:	TYPE:
	DATE:

**FEATURES AND SPECIFICATIONS**

**FLUORESCENT INDUSTRIAL LIGHTING**

**IFA SERIES**

4' | 8' T5 | T8 Industrial Fluorescent

**Construction:**

Die Formed Heavy Gauge Steel Ballast Housing  
Pre-painted Polyester Coat Finish

**Optics:**

Miro4 or White Reflector

**Electrical**

Suitable for 50° Ambient Operation

**Mounting**

Row Mounting Capable

**Specifications:**

Overall height: 4.38" (11.125 cm)

Width: 9.13" (23.19 cm)

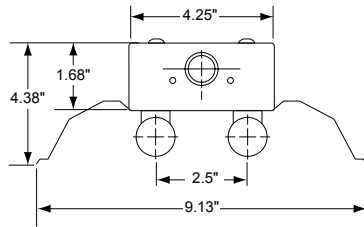
Length: 4' or 8'

**Fixture Efficiency >90%**

**Warranty:**

Atlas Lighting Products provides a 3 year limited warranty for this product.  
A full warranty can be found at [www.alpinc.com](http://www.alpinc.com)

**DIMENSIONS**



**ACCESSORIES**

- CH36** Chain Mounting Set
- CH36HFC** Chain Mounting Set with Hammer-On Flange Clip
- CA36** Cable Mounting Set
- MS360** 360° Motion Sensor

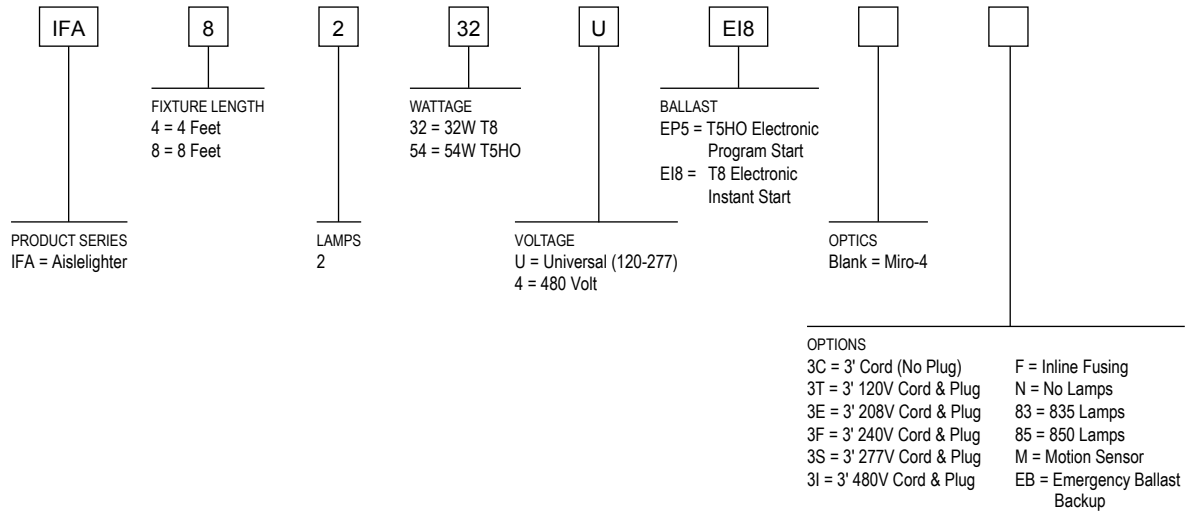


Miro-4 ≥ 95% Reflectance

**ORDERING INFORMATION**

Order accessories as separate catalog numbers (shipped separately).

example:



Actual performance can vary depending on operating conditions. Specifications are subject to change without notice.

**ATLAS LIGHTING PRODUCTS, INC.**

PO BOX 2348 | BURLINGTON, NC 27216

800-849-8485 | FAX: 336-227-0110 | [www.atlaslightingproducts.com](http://www.atlaslightingproducts.com)