



CATALOG NUMBER:	
JOB NAME:	
CUSTOMER NAME:	
NOTES:	TYPE:
	DATE:

FEATURES AND SPECIFICATIONS

FLOOD LIGHTING
FLLX23 SERIES
23" DIE CAST FLOOD LIGHT

Wattages:

Metal Halide: 1000w
 High Pressure Sodium: 1000w

Construction:

Die Cast Aluminum Housing
 Hinged Face Frame
 High Output Reflector

Optics:

Tempered Glass Lens

Electrical:

UL Listed for Wet Locations
 Pre-wired with Cord

Mounting:

Slipfitter fits 2 3/8" Tenon

Specifications:

Overall height: 29.19" (74.13 cm)
 Width: 23.69" (60.15 cm)
 Weight: 69 lbs / 31.29 kg.

Warranty:

Atlas Lighting Products provides a 3 year limited warranty for this product.
 A full warranty can be found at www.alpinc.com.



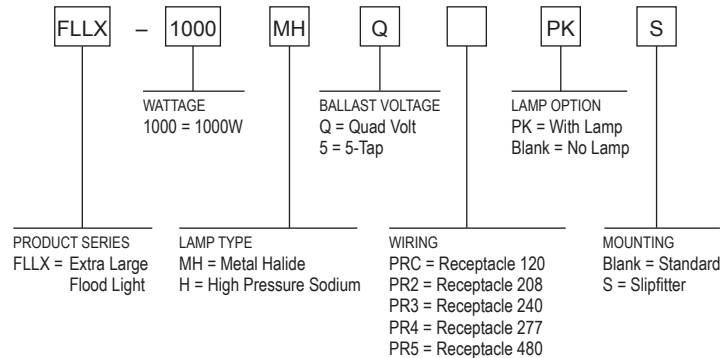
ACCESSORIES

- 320-010 Trunion for FLLX, Bronze
- 320-009 Slipfitter for FLLX, Bronze
- 210-014 FLLX Face Frame Assembly, Bronze
- 320-025 Glare Shield for FLLX Series, Bronze
- 320-023 Wireguard for FLLX Series
- 320-024 Baffle for FLLX Series, Bronze

ORDERING INFORMATION

Choose the boldface catalog nomenclature that best suits your needs and write it on the appropriate line. Order accessories as separate catalog numbers (shipped separately).

example:



Actual performance can vary depending on operating conditions. Specifications are subject to change without notice.

ATLAS LIGHTING PRODUCTS, INC.

PO BOX 2348 | BURLINGTON, NC 27216
 800-849-8485 | FAX: 336-227-0110 | www.atlaslightingproducts.com

DIMENSIONS

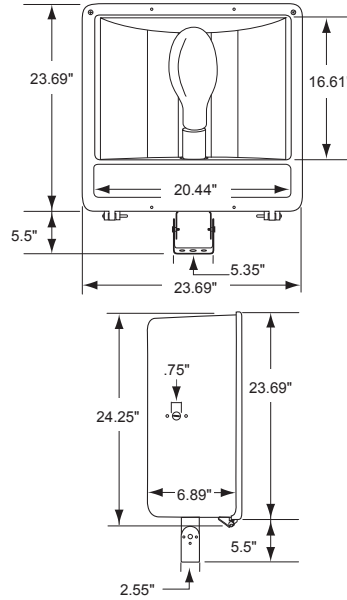
Specifications:

Overall height:
29.19" (74.13 cm)

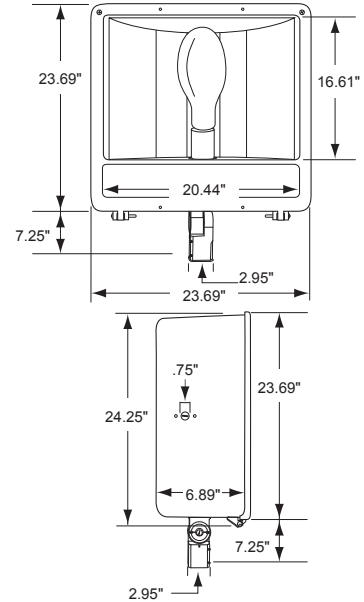
Width:
23.69" (60.15 cm)

Weight:
69 lbs / 31.29 kg.

Trunion

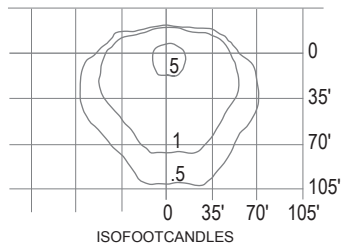


Slipfitter



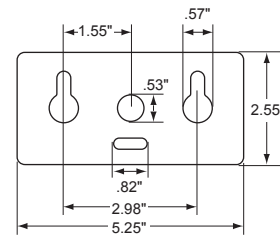
PHOTOMETRICS

1000W MH @ 35' Mounting Height

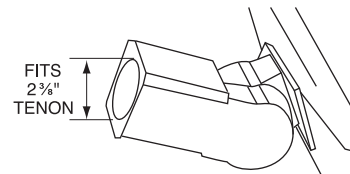


MOUNTING DETAILS

Trunion



Slipfitter



Actual performance can vary depending on operating conditions. Specifications are subject to change without notice.

ATLAS LIGHTING PRODUCTS, INC.

PO BOX 2348 | BURLINGTON, NC 27216

800-849-8485 | FAX: 336-227-0110 | www.atlaslightingproducts.com