



CATALOG NUMBER:	
JOB NAME:	
CUSTOMER NAME:	
NOTES:	TYPE:
	DATE:

FEATURES AND SPECIFICATIONS

FLOOD LIGHTING
FLL16 SERIES
16" DIE CAST FLOOD LIGHT W/ SLIPFITTER

Wattages:
 Pulse Start: 250w - 400w Ⓜ
 High Pressure Sodium: 400w

Construction:
 Die Cast Aluminum Housing
 Hinged Face Frame
 High Output Reflector

Optics:
 Tempered Glass Lens

Electrical:
 Pre-wired with Cord
 UL Listed for Wet Locations

Mounting:
 UL Listed for Ground Mounting

Specifications:
 Overall height: 22.5" (57.15 cm)
 Width: 16.44" (41.75 cm)
 Weight: 35 lbs / 15.87 kg.

Warranty:
 Atlas Lighting Products provides a 3 year limited warranty for this product.
 A full warranty can be found at www.alpinc.com.

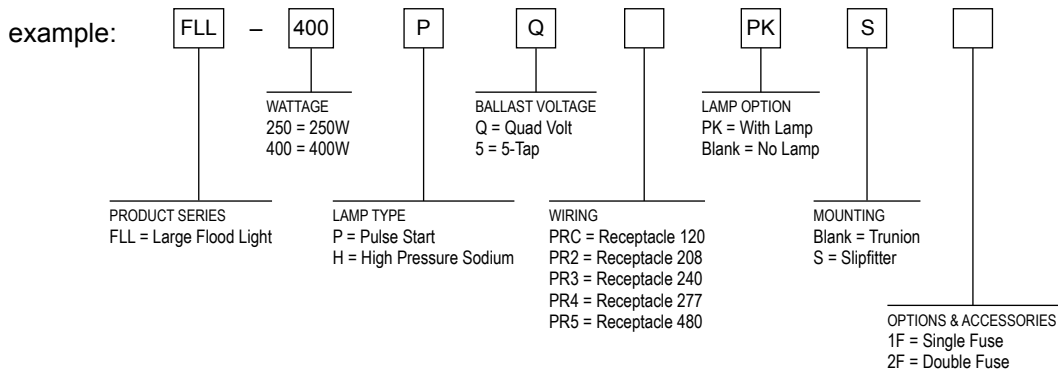


ACCESSORIES

- 320-007 Glare Shield for FLL - Bronze
- 320-006 Wireguard for FLL
- 320-005 Baffle for FLL - Bronze
- 280-016-1 Slipfitter for FLL with Cord - Bronze
- 210-003 FLL Face Frame Assembly - Bronze
- 280-017 Trunion for FLL/FLLS - Bronze

ORDERING INFORMATION

Choose the boldface catalog nomenclature that best suits your needs and write it on the appropriate line. Order accessories as separate catalog numbers (shipped separately).



Actual performance can vary depending on operating conditions. Specifications are subject to change without notice.



FLOOD LIGHTING
FLL16 SERIES
 16" DIE CAST FLOOD LIGHT W/ SLIPFITTER

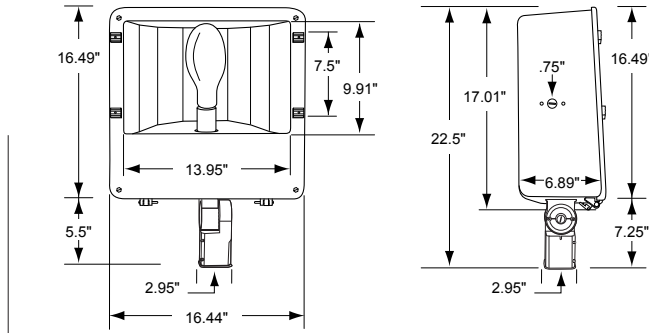
DIMENSIONS

Specifications:

Overall height:
 22.5" (57.15 cm)

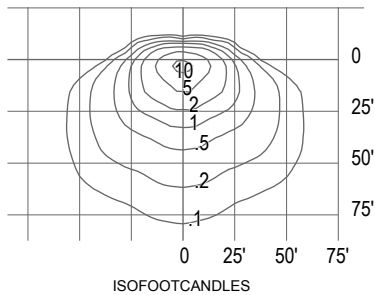
Width:
 16.44" (41.75 cm)

Weight:
 35 lbs /15.87 kg.

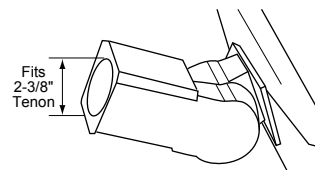


PHOTOMETRICS

400W PS @ 25' Mounting Height



MOUNTING DETAILS



Actual performance can vary depending on operating conditions. Specifications are subject to change without notice.

ATLAS LIGHTING PRODUCTS, INC.

PO BOX 2348 | BURLINGTON, NC 27216

800-849-8485 | FAX: 336-227-0110 | www.atlaslightingproducts.com