



CATALOG NUMBER:	
JOB NAME:	
CUSTOMER NAME:	
NOTES:	TYPE:
	DATE:

FEATURES AND SPECIFICATIONS

WALL LIGHTING

WLSG9 SERIES

9" DIE CAST WALL LIGHT WITH GLASS LENS



Wattages:

Pulse Start: 50w - 100w

High Pressure Sodium: 35w - 150w

Fluorescent: 26w - 42w

Construction:

Die Cast Aluminum Housing

Threaded Apertures for Conduit & Photo Control

Corrosion Resistant

Optics:

Borosilicate Glass Lens

Electrical:

UL Listed for Wet Locations

Specifications:

Overall height: 8.5" (21.59 cm)

Width: 9.05" (22.98 cm)

Weight: 10 lbs. / 4.53 kg.

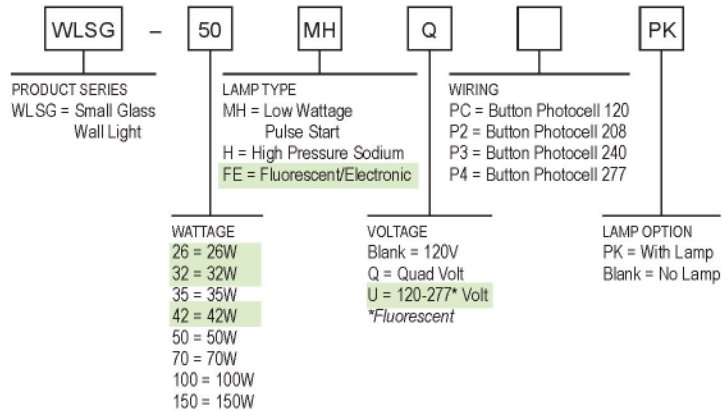
ACCESSORIES

- 210-010 WLSG Face Frame Assembly-Bronze
- 210-010WT WLSG Face Frame Assembly-White
- 230-002 Button 120V Photo Control
- 230-008 Button 208-277V Photo Control

ORDERING INFORMATION

Choose the boldface catalog nomenclature that best suits your needs and write it on the appropriate line. Order accessories as separate catalog numbers (shipped separately).

example:



Actual performance can vary depending on operating conditions. Specifications are subject to change without notice.

ATLAS LIGHTING PRODUCTS, INC.

PO BOX 2348 | BURLINGTON, NC 27216

800-849-8485 | FAX: 336-227-0110 | www.atlaslightingproducts.com

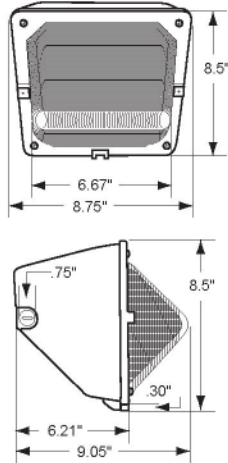
DIMENSIONS

Specifications:

Overall height:
8.5" (21.59 cm)

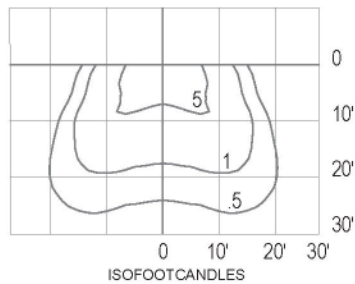
Width:
9.05" (22.98 cm)

Weight:
10 lbs. / 4.53 kg.



PHOTOMETRICS

100W PS @ 10' Mounting Height



Actual performance can vary depending on operating conditions. Specifications are subject to change without notice.