

- Die Cast Aluminum Housing
- Borosilicate Glass Lens
- Threaded Apertures for Conduit & Photo Control
- Corrosion Resistant
- UL Listed for Wet Locations

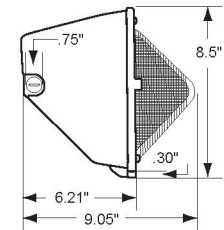
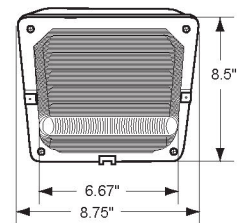


quick SHIP Products

CATALOG #	DESCRIPTION	VOLTS	BALLAST TYPE	LAMP
Pulse Start				
WLSG-70MHQPK	70 watt PS	Quad	HX-NPF	MH70/U/M
WLSG-100MHQPK	100 watt PS	Quad	HX-NPF	MH100/U/M
High Pressure Sodium				
WLSG-100HPK	100 watt HPS	120	R-NPF	C100S54/M
WLSG-150HPK	150 watt HPS	120	R-NPF	C150S55/M
Fluorescent				
WLSG-26FEUPK	26 watt FL	Univ.	Prog. Start	PLT26W/41
WLSG-42FEUPK	42 watt FL	Univ.	Prog. Start	PLT42W/41



Dimensions

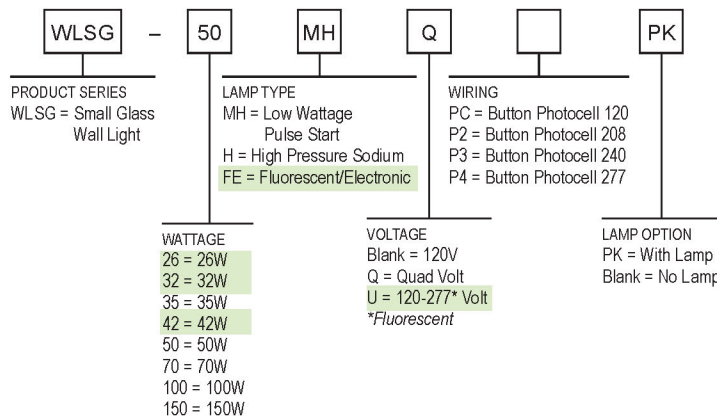


Accessories

CATALOG #	DESCRIPTION	STD. PKG.
210-010	WLSG Face Frame Assembly-Bronze	1
210-010WT	WLSG Face Frame Assembly-White	1
230-002	Button 120V Photo Control	1
230-008	Button 208-277V Photo Control	1

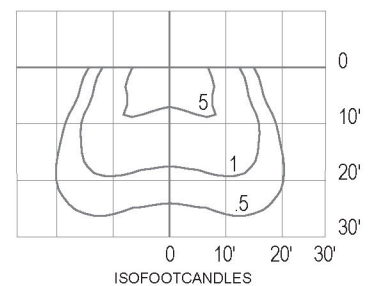
Ordering Format

example:



Photometrics

100W PS @ 10' Mounting Height



MH vs. Fluorescent

	50w MH	42w FL
Lamp Life	5,000 hrs	12,000 hrs
Start Up Time	3-5 minutes	Instant
Restrike Time	15-20 minutes	Instant
CRI	70	82
Color Temperature	4,200k	4,100k
Initial Lumens	3,400	3,200
Mean Lumens	2,700	2,750
Mean Lumens/Watt	39.13	65.52
Watts/Fixture	69	42
Cost/Year*	\$16.12	\$9.81

*Based On: 8 hours per day | 365 days per year | \$0.08 per kWh

