

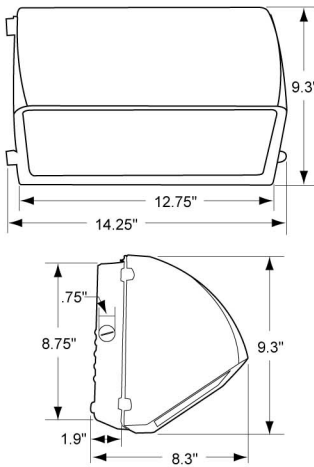


- Die Cast Aluminum Housing
- Borosilicate Glass Lens
- Reduces Light Pollution
- Reduces Light Trespass
- Face Frame Opens to the Side
- Threaded Apertures for Conduit & Photo Control
- Emergency Battery Backup Available

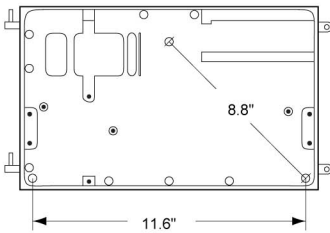


**quick SHIP Products**

### Dimensions

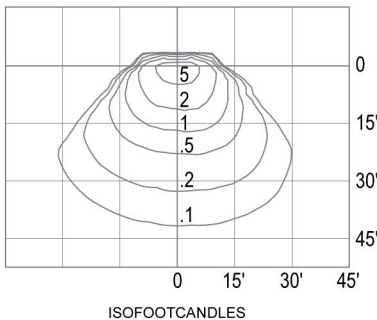


### Mounting Detail



### Photometrics

150W PS @ 15' Mounting Height



CATALOG #	DESCRIPTION	BALLAST VOLTS	TYPE	LAMP
<b>Pulse Start</b>				
WLMC-70MHQPK	70 watt PS	Quad	HX-HPF	MH70/U/M
WLMC-100MHQPK	100 watt PS	Quad	HX-HPF	MH100/U/M
WLMC-150PQPK	150 watt PS	Quad	HX-HPF	MS150/U
<b>High Pressure Sodium</b>				
WLMC-100HQPK	100 watt HPS	Quad	HX-HPF	C100S54
WLMC-150HPK	150 watt HPS	120	R-NPF	C150S55
WLMC-150HQPK	150 watt HPS	Quad	HX-HPF	C150S55
<b>Fluorescent</b>				
WLMC-84FEUPK	84 watt FL	Univ.	Prog. Start	(2) PLT42W/41

### Accessories

CATALOG #	DESCRIPTION	STD. PKG.
210-008	WLMC Face Frame Assembly-Bronze	1

### Ordering Format

example: **WLMC** - **150** **P** **Q** **PK**

PRODUCT SERIES  
WLMC = Cut-Off Medium Wall Light

LAMP TYPE  
MH = Low Wattage Pulse Start  
P = Pulse Start  
H = High Pressure Sodium  
FE = Fluorescent/Electronic

BALLAST VOLTAGE  
Blank = 120V  
Q = Quad Volt  
U = 120-277\* Volt  
\*Fluorescent Only

LAMP OPTION  
PK = With Lamp  
Blank = No Lamp

BATTERY  
EB = Emergency Battery Backup\*  
\*Fluorescent Only

WATTAGE  
52 = 52W  
64 = 64W  
70 = 70W  
84 = 84W

100 = 100W  
125 = 125W  
150 = 150W

### MH vs. Fluorescent

	100w MH	84w FL
Lamp Life	10,000 hrs	12,000 hrs
Start Up Time	3-5 minutes	Instant
Restrike Time	15-20 minutes	Instant
CRI	70	82
Color Temperature	4,200k	4,100k
Initial Lumens	7,800	6,400
Mean Lumens	5,600	5,500
Mean Lumens/Watt	43.4	65.52
Watts/Fixture	129	84
Cost/Year*	\$30.13	\$19.62

\*Based On: 8 hours per day | 365 days per year | \$0.08 per kWh

