

- Die Cast Aluminum Housing
- Borosilicate Glass Lens
- Aluminum Base Plate with Conduit Access
- UL Listed for Wet Locations



**quick SHIP Products**

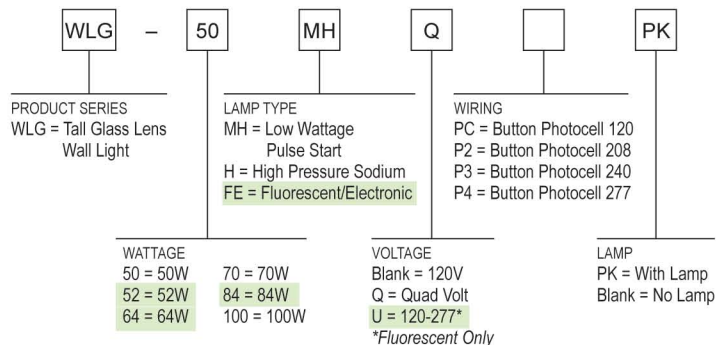
CATALOG #	DESCRIPTION	VOLTS	BALLAST TYPE	LAMP
<b>Pulse Start</b>				
WLG-50MHQPK	50 watt PS	Quad	HX-NPF	MH50/U/M
WLG-70MHQPK	70 watt PS	Quad	HX-NPF	MH70/U/M
WLG-100MHQPK	100 watt PS	Quad	HX-NPF	MH100/U/M
<b>High Pressure Sodium</b>				
WLG-70HQPK	70 watt HPS	Quad	HX-NPF	C70S62/M
WLG-100HPK	100 watt HPS	120	R-NPF	C100S54/M
WLG-100HQPK	100 watt HPS	Quad	HX-NPF	C100S54/M
<b>Fluorescent</b>				
WLG-84FEUPK	84 watt FL	Univ.	Prog. Start	(2) PLT42W/41

**Accessories**

CATALOG #	DESCRIPTION	STD. PKG.
130-004	WLG Lens with Gasket	1
230-002	Button 120V Photo Control	1
230-008	Button 208-277V Photo Control	1

**Ordering Format**

example:

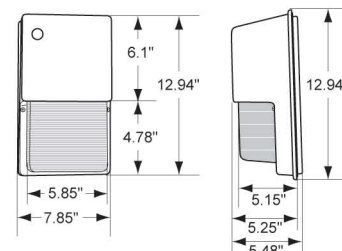


**MH vs. Fluorescent**

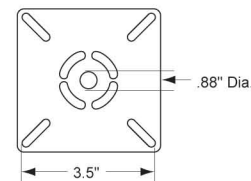
	100w MH	84w FL
Lamp Life	10,000 hrs	12,000 hrs
Start Up Time	3-5 minutes	Instant
Restrike Time	15-20 minutes	Instant
CRI	70	82
Color Temperature	4,200k	4,100k
Initial Lumens	7,800	6,400
Mean Lumens	5,600	5,500
Lumens/Watt	43.4	65.52
Watts/Fixture	129	84
Cost/Year*	\$30.13	\$19.62

\*Based On: 8 hours per day | 365 days per year | \$0.08 per kWh

**Dimensions**



**Mounting Detail**



**Photometrics**

100W PS @ 10' Mounting Height

