

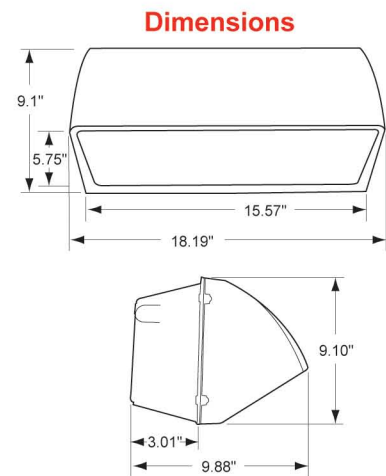
- Die Cast Aluminum Housing
- Face Frame Opens to the Side
- Reduces Light Pollution
- Reduces Light Trespass
- Shallow Back Design
- Threaded Apertures for Conduit & Photo Control



quick SHIP Products

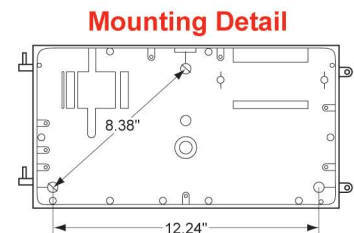
CATALOG #	DESCRIPTION	VOLTS	BALLAST TYPE	LAMP
Pulse Start				
WLDC-250PQPK	250 watt PS	Quad	CWA	MS250/H
High Pressure Sodium				
WLDC-250HQPK	250 watt HPS	Quad	CWA	C250S50

480V Available Upon Request

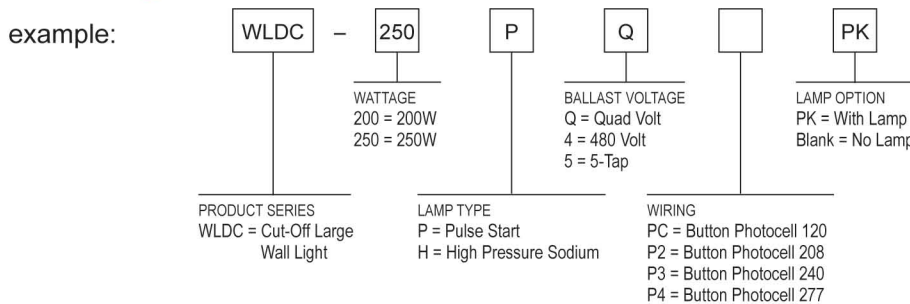


Accessories

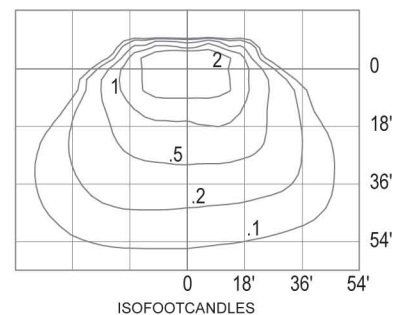
CATALOG #	DESCRIPTION	STD. PKG.
320-017	Full Cut-Off Shield for WLDC-Bronze	1
210-006	Face Frame Assembly for WLDC-Bronze	1
230-002	Button 120V Photo Control	1
230-008	Button 208-277V Photo Control	1



Ordering Format



Photometrics
250W PS @ 18' Mounting Height



Wall Lighting
18" Die Cast Deep Cut-Off

