



Vandal

VN1256LED 56 Watt LED Vandal



Project Information	
Job Name	
Fixture Type	56 Watt LED Vandal
Catalog Number	VN1256LED
Approved by	

SPECIFICATIONS:

Construction:

Rugged Traditional aluminum die cast housing provides proven environmental protection for LED modules. Traditional fixture designs provide a familiar look and standard installation requirements. Retaining this look allows the ability to upgrade fixtures gradually, while retaining the same overall fixture appearance throughout a facility. The smooth housing prevents debris build up and maximizes airflow over housing.

Optics:

Lens assembly is designed to provide high efficiency and to target the light where needed to satisfy outdoor lighting requirements.

Positioning of the LEDs (along with Patent Pending thermal management system) results in the light being directed to desired locations eliminating glare and offensive light.

Thermal Management:

Atlas' Patent Pending exclusive Thermal Stacking Technology System™ features a unique internal design that allows for lower operating temperatures which results in a brighter, whiter light, more stable color and longer LED and driver life.

Listings:

Luminaire is certified to UL Standards for Wet Locations

AC Input:

120/208/240/277 V~ 600mA

Driver:

Constant current, Class 2, 120-277 VAC, 50-60 Hz
High Efficiency ~ 90%

LEDs:

LUXEON Rebel ES - 4100K CCT
Delivers 70% or greater of initial lumens at 60,000 hours
Epoxy Guard™ protective conformal coated boards

The LUXEON Rebel ES provides higher lumen output, greater energy efficiency and more reliable fixture performance. They are tested and binned at 700mA which is the actual operating current used in Atlas LED luminaires, giving a better representation of actual performance.

Glare Free:

Positioning of the LED modules within the housing result in light directed to desired locations and eliminates offensive light.

Warranty:

Five-year limited warranty

Testing:

Atlas LED luminaires have been tested by an independent laboratory in accordance with IESNA LM-79 & LM-80, and have received the Department of Energy "Lighting Facts" label.

Installation:

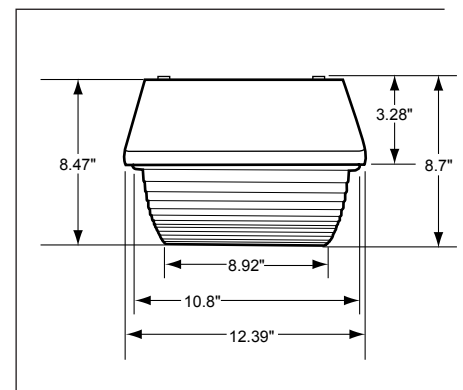
Fixture retains the same knock-out sizes and positions as previous models, reducing wiring costs.

Weight:

7.25 lbs.



DIMENSIONS:



Patent Pending

ATLAS LIGHTING PRODUCTS, INC.

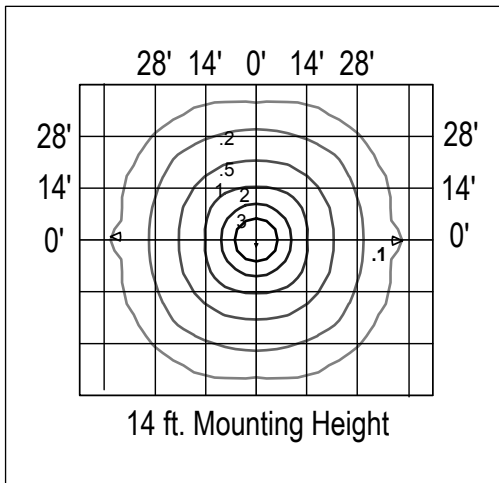
PO BOX 2348 | BURLINGTON, NC 27216
800-849-8485 | FAX: 336-227-0110 | www.atlaslightingproducts.com

Made in the USA of US and imported parts. Meets Buy American requirements within the ARRA.

HIGH POWERED LED INFO

# OF LEDS	COLOR	LED TYPE	CCT RANGE	TYP. CRI	TEST FORWARD CURRENT (MA)	TYP EFFICACY (LM/W)	INITIAL LUMENS
24	Neutral - White	LUXEON Rebel ES	3500K-4500K	65	700	96	4856

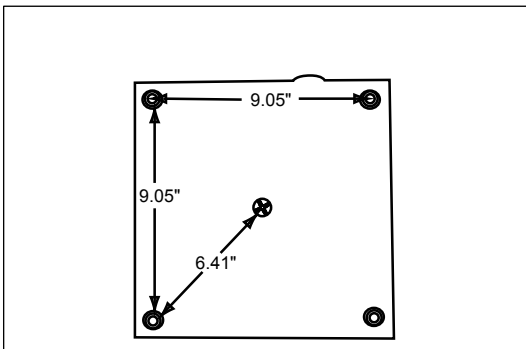
PHOTOMETRIC



ENERGY SAVINGS

LED		HID			ANNUAL SAVINGS
WATTAGE	ANNUAL COST	SOURCE WATTAGE	TOTAL WATTAGE USED	ANNUAL COST	
56	\$24	100	129	\$57	\$33
56	\$24	150	185	\$80	\$56
56	\$24	175	210	\$92	\$68

MOUNTING DETAIL



Atlas Lighting Products, Inc.

lighting facts®

A Program of the U.S. DOE

Light Output (Lumens)	3749
Watts	55.9
Lumens per Watt (Efficacy)	67
<hr/>	
Color Accuracy	69
Color Rendering Index (CRI)	
<hr/>	
Light Color	4365 (Bright White)
Correlated Color Temperature (CCT)	
Warm White	Bright White
2700K	3000K
	4500K
	6500K
<hr/>	
<p>All results are according to IESNA LM-79-2008: <i>Approved Method for the Electrical and Photometric Testing of Solid-State Lighting</i>. The U.S. Department of Energy (DOE) verifies product test data and results.</p>	
<p>Visit www.lightingfacts.com for the Label Reference Guide.</p>	
<p>Registration Number: PRB4-N6EWKJ (Revised 8/31/2011)</p>	
<p>Model Number: VN1256LED</p>	
<p>Type: Canopy light</p>	