

IVW

Wall Mount

200 - 300 watts Incandescent

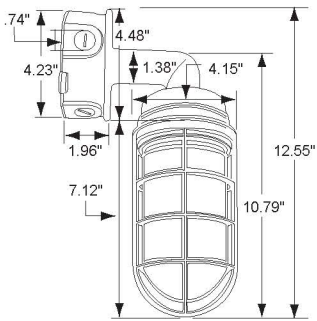
SERIES



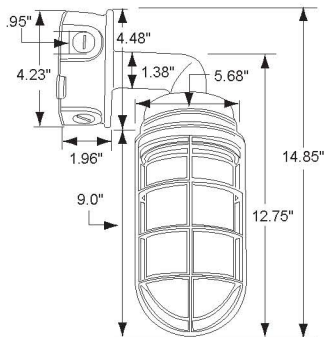
- Die Cast Housing & Guard
- Stainless Steel Locking Screw
- Heat & Impact Resistant Clear Glass Globe
- Standard Size Fixture Accommodates Up To 200w Lamp
- UL Listed for Wet Locations

quick SHIP Products

Dimensions IVW200



Dimensions IVW300



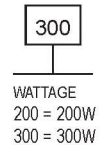
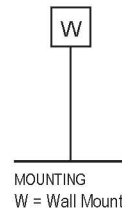
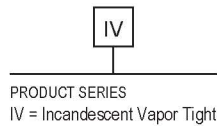
CATALOG #	DESCRIPTION	VOLTS	CONDUIT ACCESS
Incandescent			
IVW200	200w Incandescent Vapor Tight	120	½" NPS
IVW300	300w Incandescent Vapor Tight	120	¾" NPS

Accessories

CATALOG #	DESCRIPTION	STD. PKG.
VSS200	Straight Shield for 200w	1
VSS300	Straight Shield for 300w	1
VSA200	Angled Shield for 200w	1
VSA300	Angled Shield for 300w	1
VWGS	Wireguard for Straight Shield	1
VWGA	Wireguard for Angled Shield	1
VDG200	200w Replacement Die Cast Guard	1
VDG300	300w Replacement Die Cast Guard	1
VG200	200w Replacement Glass Globe	1
VG300	300w Replacement Glass Globe	1

Ordering Format

example:



Vapor Tight

Wall Mount

