



CATALOG NUMBER:

JOB NAME:

CUSTOMER NAME:

NOTES:

TYPE:

DATE:



**FEATURES AND SPECIFICATIONS**

**FLUORESCENT INDUSTRIAL LIGHTING**

**IFH SERIES**

**4 LAMP T5-T8 I-LINE HIGH BAY**

**Construction:**

- Heavy Duty Construction
- 20 Gauge Steel Housing
- Post Painted Polyester Coat Finish

**Optics:**

Miro4 or White Reflector

**Electrical:**

- Suitable for 50° Ambient Operation
- Quick Wire Access Panel Allows for Easy Power Connection

**Mounting:**

- Options Include:
- Chain, Cable or Toggle Mounting

**Specifications:**

- Overall height: 3.25" (8.255 cm)
- Width: 13.0" (33.02 cm)
- Length: 46.25" (117.475 cm)

**Fixture Efficiency >90%**

**Warranty:**

Atlas Lighting Products provides a 3 year limited warranty for this product. A full warranty can be found at [www.alpinc.com](http://www.alpinc.com)



**ACCESSORIES**

**Mounting**

- CH36 36" Chain Set
- CH36HFC 36" Chain Set w/ Hammer-On Flange Clip
- CA36 36" Cable Set
- TM36 Toggle Mount Kit

**Motion Sensors**

- MS360 360° Motion Sensor

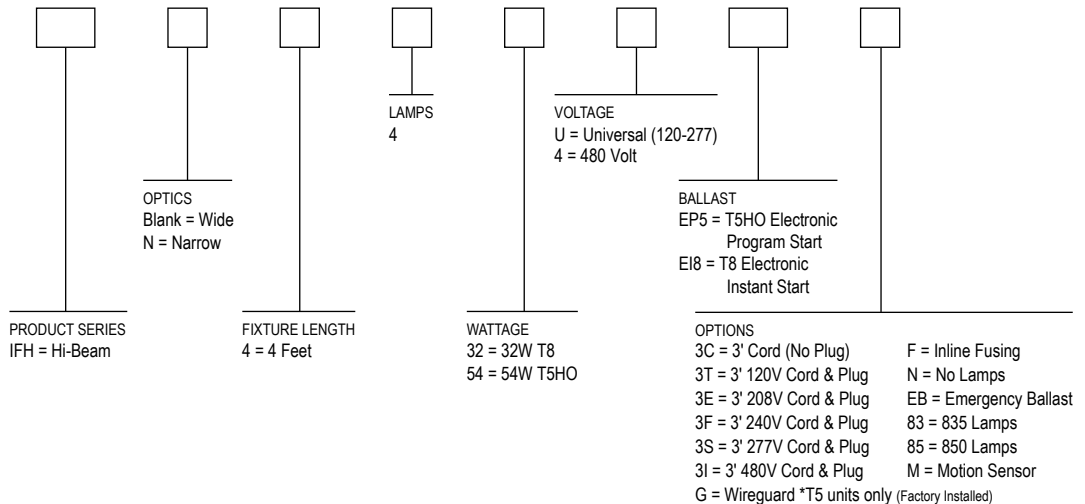


Miro-4 ≥ 95% Reflectance

**ORDERING INFORMATION**

Order accessories as separate catalog numbers (shipped separately).

example:



Actual performance can vary depending on operating conditions. Specifications are subject to change without notice.

**ATLAS LIGHTING PRODUCTS, INC.**

PO BOX 2348 | BURLINGTON, NC 27216

800-849-8485 | FAX: 336-227-0110 | [www.atlaslightingproducts.com](http://www.atlaslightingproducts.com)

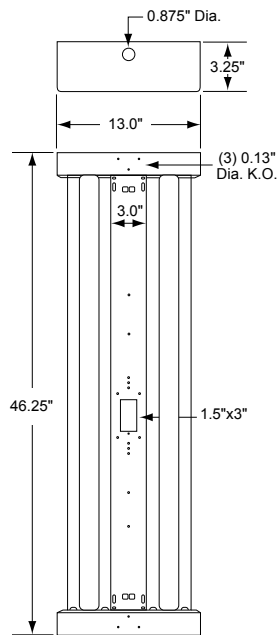
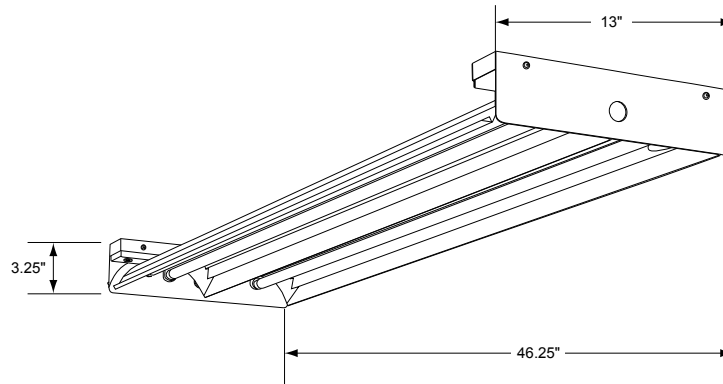
**DIMENSIONS**

**Specifications:**

**Overall height:**  
 3.25" (8.255 cm)

**Width:**  
 13" (33.02 cm)

**Length:**  
 46.25" (117.475 cm)



Dimensions are for wide optics unit

Actual performance can vary depending on operating conditions. Specifications are subject to change without notice.