



CATALOG NUMBER: HPS50-0086-KT	
JOB NAME:	
CUSTOMER NAME:	
NOTES:	TYPE:
	DATE:

FEATURES AND SPECIFICATIONS

HID KITS
HIGH PRESSURE SODIUM BALLAST KIT WITHOUT LAMP
 FOR 50W HIGH PRESSURE SODIUM

Wattages:
 High Pressure Sodium: 50w

Construction:
 Attractive Display Carton
 Easy Access Packaging
 No Staples / No Tape

Mounting
 Factory Drilled for Mounting

Specifications:
 Mounting Holes: .218" Dia. (0.55 cm)
 Weight: 1.4 lbs. (0.65 kg)

Warranty:
 Atlas Lighting Products provides a 3 year limited warranty for this product.
 A full warranty can be found at www.alpinc.com.

**EISA REQUIREMENTS
 ARE NOT APPLICABLE TO
 REPLACEMENTS KITS**



INPUT VOLTS		120
CIRCUIT TYPE	R-NPF	
POWER FACTOR (min)	90%	
REGULATION		
Line Volts	±10%	
Lamp Watts	±10%	
LINE CURRENT (Amps)		
Operating.....		.6
Open Circuit.....		.9
Starting.....		.9
UL TEMPERATURE RATINGS		
Insulation Class	H(180°C)	
Coil Temperature Code	1029	A
MIN. AMBIENT STARTING TEMP.	-20°F or -30°C	
NOM. OPEN CIRCUIT VOLTAGE	120	
INPUT VOLTAGE AT LAMP DROPOUT.....		60
INPUT WATTS	60	
RECOMMENDED FUSE (Amps).....		3
CORE and COIL		
Dimension (A)	.8	
Dimension (B)	2.0	
Weight (lbs.)	1.4	
Lead Lengths	12"	
CAPACITOR REQUIREMENT		
Microfarads		
Volts (min.)		
Fault Current Withstand (amps)		
60 Hz TEST PROCEDURES (Refer to Advance Test Procedure for HID Ballasts - Form 1270)		
High Potential Test (Volts)		
1 minute	2000	
2 seconds	2500	
Open Circuit Voltage Test (Volts)	90-150	
Short-Circuit Current Test (Amps)		
Secondary Current	1.40-2.20	
Input Current.....		

ORDERING INFORMATION

Catalog #	Description	Volts
HPS50-0086-KT	HPS Ballast Kit	120V

BALLAST TYPE

R-NPF

Actual performance can vary depending on operating conditions. Specifications are subject to change without notice.

ATLAS LIGHTING PRODUCTS, INC.

PO BOX 2348 | BURLINGTON, NC 27216
 800-849-8485 | FAX: 336-227-0110 | www.atlaslightingproducts.com



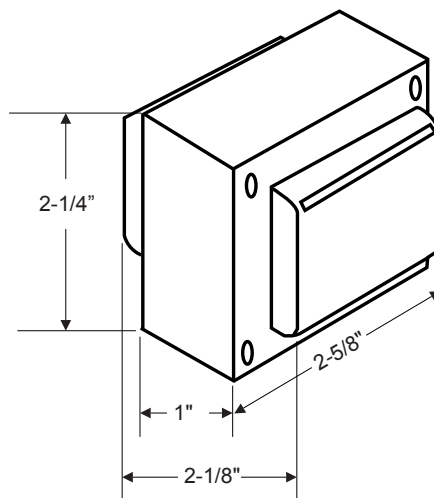
HID KITS
HIGH PRESSURE SODIUM BALLAST KIT
WITHOUT LAMP
FOR 50W HIGH PRESSURE SODIUM

DIMENSIONS

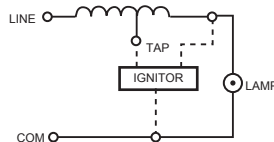
Specifications:

Mounting Holes:
0.218" Dia. (0.55 cm)

Weight:
1.4 lbs. / .65 kg.



WIRING DIAGRAM



Actual performance can vary depending on operating conditions. Specifications are subject to change without notice.

ATLAS LIGHTING PRODUCTS, INC.

PO BOX 2348 | BURLINGTON, NC 27216

800-849-8485 | FAX: 336-227-0110 | www.atlaslightingproducts.com