

FLL

16" Die Cast Flood Light

200 - 400 watts PS | HPS

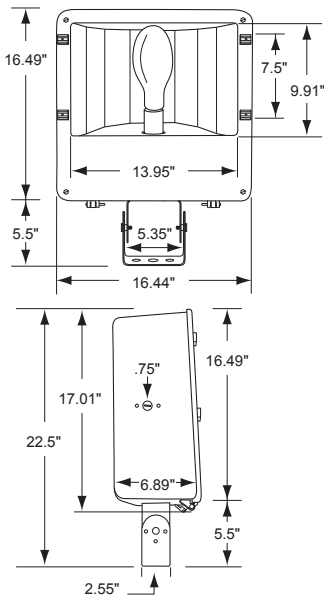
SERIES



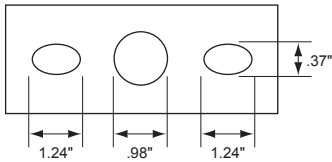
- Die Cast Aluminum Housing
- Hinged Face Frame
- Tempered Glass Lens
- High Output Reflector
- UL Listed for Ground Mounting
- Pre-wired with Cord

quick SHIP Products

Dimensions

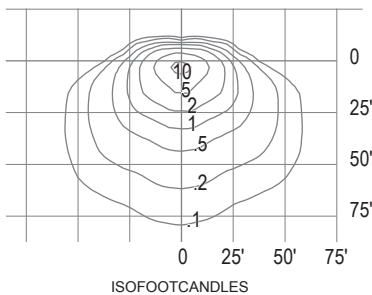


Mounting Detail



Photometrics

400W PS @ 25' Mounting Height



CATALOG #	DESCRIPTION	VOLTS	BALLAST	LAMP
Pulse Start				
ⓔ FLL-250PQPK	250 watt PS	Quad	CWA	MS250/H
ⓔ FLL-320PQPK	320 watt PS	Quad	CWA	MS320/H
ⓔ FLL-350PQPK	350 watt PS	Quad	CWA	MS350/H
ⓔ FLL-400PQPK	400 watt PS	Quad	CWA	MS400/H
High Pressure Sodium				
FLL-400HQPK	400 watt HPS	Quad	CWA	C400S51

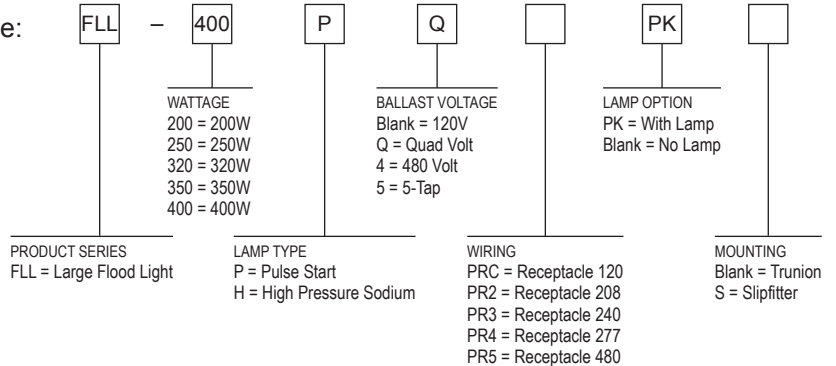
For Slipfitter Add Suffix "S"
Please Consult page 199 for PS Lamp Orientation

Accessories

CATALOG #	DESCRIPTION	STD. PKG.
320-007	Glare Shield for FLL - Bronze	1
320-006	Wireguard for FLL	1
320-005	Baffle for FLL - Bronze	1
280-016-1	Slipfitter for FLL with Cord - Bronze	1
210-003	FLL Face Frame Assembly - Bronze	1
280-017	Trunion for FLL/FLLS - Bronze	1

Ordering Format

example:



Atlas Lighting Products provides a limited warranty for all products. A full warranty can be found at www.alpinc.com.

1-800-849-8485 • WWW.ATLASLIGHTINGPRODUCTS.COM