



CATALOG NUMBER: 500-082BZ	
JOB NAME:	
CUSTOMER NAME:	
NOTES:	TYPE:
	DATE:

**FEATURES AND SPECIFICATIONS**

**FLOOD LIGHTING**  
**ACCESSORIES**  
**MOUNTING**

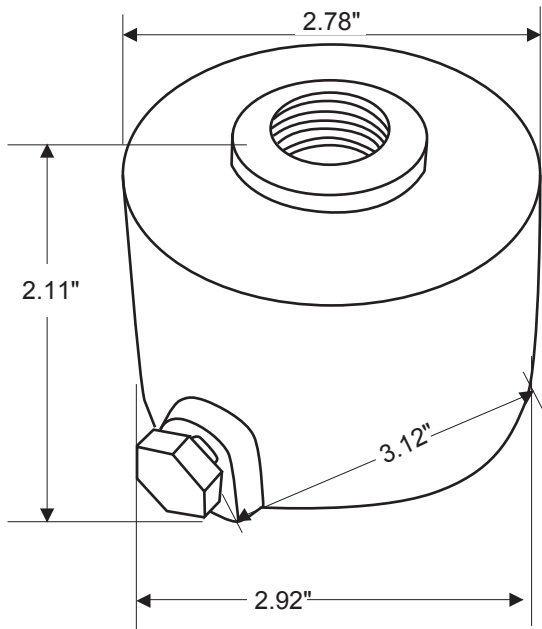
**Construction:**  
Die Cast

**Mounting:**  
Post Top

**Specifications:**  
**Overall height:** 2.11" (5.36 cm)  
**Width:** 2.92" (7.42 cm)  
**Weight:** 1.2 lbs. / 0.54 kg.



**DIMENSIONS**



**ORDERING INFORMATION**

Catalog #	Description	Finish	I.D. (in.)	Wt./Lbs.
500-082BZ	Adjustable Post Top Fitter	Bronze	2.5	1.2

Actual performance can vary depending on operating conditions. Specifications are subject to change without notice.

**ATLAS LIGHTING PRODUCTS, INC.**

PO BOX 2348 | BURLINGTON, NC 27216  
 800-849-8485 | FAX: 336-227-0110 | [www.atlaslightingproducts.com](http://www.atlaslightingproducts.com)