

Rigid Pipe Clamps

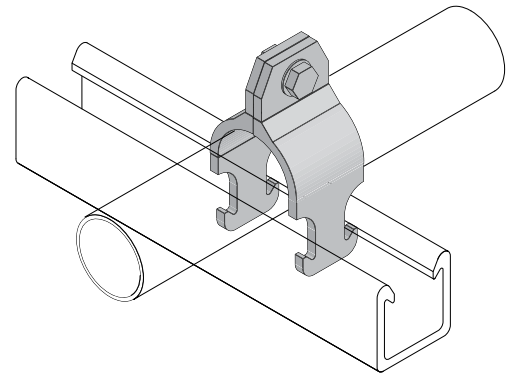
Aickinstrut Rigid Pipe Clamps resemble the more traditional style of pipe clamps. These clamps are made from glass-reinforced polyurethane and are sized based on the pipe inside diameter or nominal size.

Polyurethane clamps are recommended for applications up to 160°F. For high temperature applications (up to 230°F), PVDF clamps are available as a special order. Contact the factory for pricing and availability.

Care should be taken not to exceed the recommended torque values of the rigid pipe clamps.

Part Number	Nominal Size (in.)	PVC Sch. 80 and Rigid Metal	Design Loads (lbs.)*		FRP Bolt Size (in.)	FRP Bolt Torque (ft./lbs.)
			Type 1	Type 2		
PCR-050	1/2	0.840	225	90	3/8 x 1 1/4	3
PCR-075	3/4	1.050	225	90	3/8 x 1 1/4	3
PCR-100	1	1.315	225	90	3/8 x 1 1/4	3
PCR-125	1 1/4	1.660	225	90	3/8 x 1 1/4	3
PCR-150	1 1/2	1.900	225	90	3/8 x 1 1/4	3
PCR-200	2	2.375	225	90	3/8 x 1 1/4	3
PCR-250	2 1/2	2.875	225	90	3/8 x 1 1/4	3
PCR-300	3	3.500	225	90	3/8 x 1 1/4	3
PCR-400	4	4.500	300	125	3/8 x 1 1/4	3
PCR-600	6	6.625	300	125	3/8 x 1 1/4	3
PCR-800	8	8.625	300	125	3/8 x 1 1/4	3

*Design loads shown represent a 3:1 safety factor.



Two Hole Pipe Straps

Aickinstrut Two Hole Pipe Straps are designed for use in securing pipe, conduit and ducts to Aickinstrut Channel. Two hole fiberglass straps can also be used independently from the channel for surface mounting. All sizes of the straps are suitable for load bearing applications.

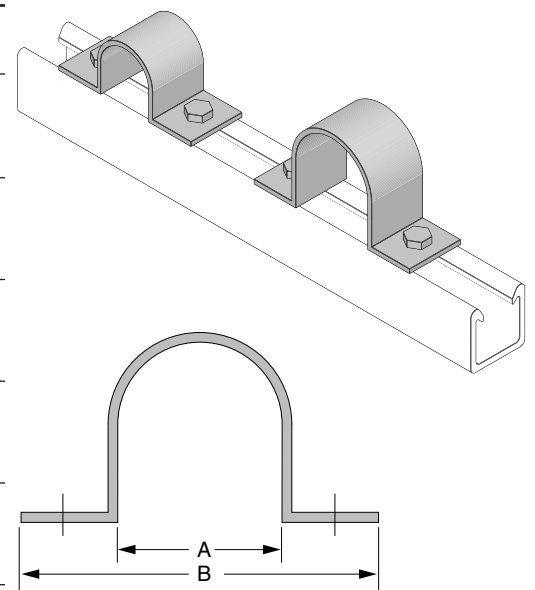
The two hole pipe straps are manufactured from a fire-retardant, glass reinforced polyester resin. For extreme

chemical environments, the straps can be manufactured from vinyl ester resin. Larger diameter straps for special applications are also available. Contact the factory for pricing and availability of vinyl ester and large diameter straps. Two hole pipe straps should not be torqued above recommended values.

Part Number	Dimension		Bolt Size (in.)	Material Size (in.)	Design Load (lbs)*		Torque (ft./lbs.)
	A (in.)	B (in.)			Type 1	Type 2	
PS050	0.840	4.840	1/2	1/4 x 1 5/8	135	50	4
PS075	1.050	5.050	1/2	1/4 x 1 5/8	135	50	4
PS100	1.315	5.315	1/2	1/4 x 1 5/8	135	50	4
PS150	1.900	5.900	1/2	1/4 x 1 5/8	135	50	4
PS200	2 3/8	6.375	1/2	1/4 x 1 5/8	135	50	4
PS250	2 7/8	6.875	1/2	1/4 x 1 5/8	135	50	4
PS300	3 1/2	7.500	1/2	1/4 x 1 5/8	135	50	4
PS350	4	8.000	1/2	1/4 x 1 5/8	135	50	4
PS400	4 1/2	8.500	1/2	1/4 x 1 5/8	175	60	4
PS500	5 9/16	9.563	1/2	1/4 x 1 5/8	175	60	4
PS600	6 5/8	10.625	1/2	1/4 x 1 5/8	175	60	4
PS800	8 5/8	12.625	1/2	1/4 x 1 5/8	225	125	4
PS1000	10 3/4	15.750	5/8	1/4 x 1 5/8	225	125	10
PS1200	12 3/4	16.250	5/8	1/4 x 1 5/8	225	125	10
PS1400	14	18.000	5/8	3/8 x 1 5/8	250	150	10
PS1600	16	20.000	5/8	3/8 x 1 5/8	250	150	10
PS1800	18	23.000	5/8	3/8 x 1 5/8	250	150	10

*Design loads shown represent a 3:1 safety factor.

Notes: Bolts and channel nuts are sold separately.



When bolting onto 1 5/8" or 1 1/2" channel a 1 1/4" long bolt is required.