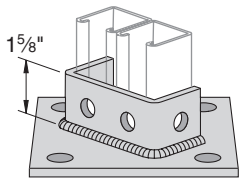


FITTINGS

Finish: Painted Green or Electro-galvanized Order By: No., Size and Finish

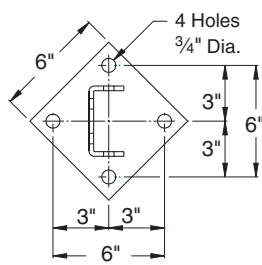


PS 3029 – Double-Column Post Base

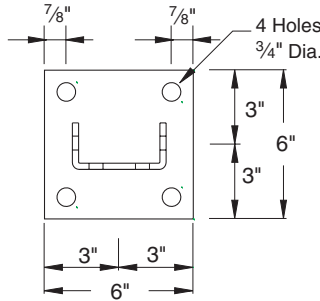


Use With: PS 100, PS 200 2T3, PS 210 2T3

Weight/100 pcs: 325 lbs.

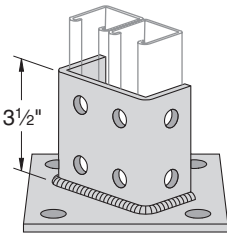


(PS 3029)



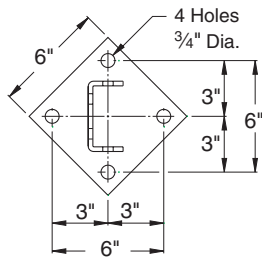
(PS 3029 SQ)

PS 3064 – Double-Column Post Base

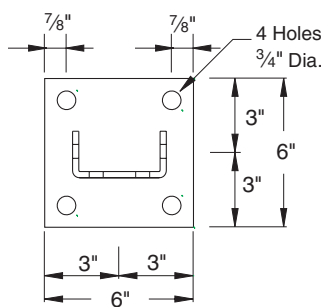


Use With: PS 100, PS 200 2T2, PS 200 2T3, PS 200 2T4 and PS 200 2T5

Weight/100 pcs: 408 lbs.

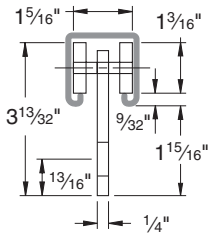
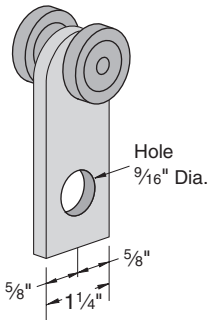


(PS 3064)



(PS 3064 SQ)

PS 2521 – Two-Wheel Trolley



Weight/100 pcs: 46 lbs.

Material: Carbon Steel Wheels have stainless steel ball bearings

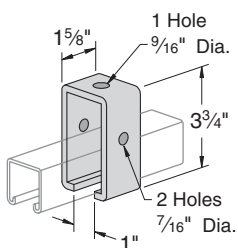
Finish: Electro-Galvanized

Use With: PS 200

Load Rating: 300 lbs.

FPM	RPM	Design Load In PS 200 Lbs
180	600	150
90	300	225
30	100	437

PS 2528 – Trolley Beam Standard Support

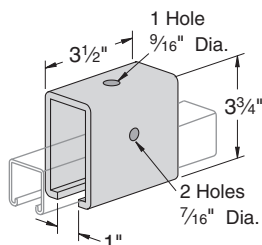


Use With: PS 200, PS 210

Load Rating: 600 lbs.

Weight/100 pcs: 102 lbs.

PS 2528 1 – Trolley Beam Heavy Support and Track Joiner

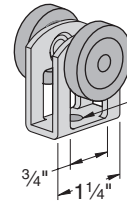


Use With: PS 200, PS 210

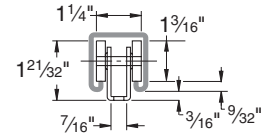
Load Rating: 2,500 lbs.

Weight/100 pcs: 220 lbs.

PS 2524 – Two-Bearing Light Duty Trolley

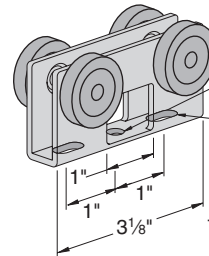


Load Rating: 50 lbs.

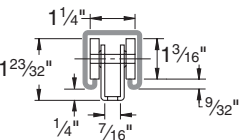


Weight/100 pcs: 21 lbs.

PS 2525 – Four-Bearing Light Duty Trolley

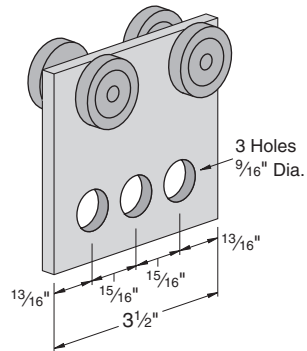


Load Rating: 100 lbs.



Weight/100 pcs: 55 lbs.

PS 2522 – Four-Wheel Trolley



Material:

Carbon Steel Wheels have stainless steel ball bearings

Finish: Electro-Galvanized

Use With: PS 200

Load Rating: 600 lbs.

FPM	RPM	Design Load In PS 200 Lbs
180	600	300
90	300	450
30	100	600

Weight/100 pcs: 110 lbs.