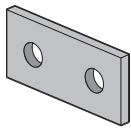


PICTORIAL TABLE OF CONTENTS



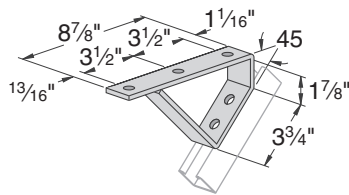
General Fittings (cont.)						
PS 732..... 63	PS 838 R or L..... 64	PS 3282..... 64	PS 825 R or L..... 64	PS 826..... 64	PS 2404 thru PS 2408..... 64	PS 2421..... 65
PS 855..... 65	PS 2651..... 65	PS 2657..... 65	PS 2656..... 65	PS 685..... 65	PS 686..... 66	PS 2653..... 66
PS 907, PS 998..... 66	PS 916..... 66	PS 684..... 66	PS 2622..... 66	PS 736..... 66	PS 3201..... 67	PS 2624..... 66
PS 871..... 67	PS 858..... 67	PS 865..... 67	PS 2654 & A..... 68	PS 135X..... 67	PS 85..... 67	PS 95..... 68
PS 86..... 68	PS 93..... 68	PS 94..... 68				

Pipe & Conduit Clamps					
PS 1000.....70	PS 1100 Series.....70	PS 1300.....70	PS 1200.....71	PS 3138.....72	PS 3126.....72
PS 3792.....75	PS 67.....70	PS 69.....71	PS 137.....71	PS 51.....72	PS 004T.....74
PS 004M.....75	PS 270.....72	PS 52E.....75	PS MU.....76	PS TP.....73	PS CT.....73
PS UB.....76	PS 815.....77	PS 1911.....77	PS 816.....77	PS 1902.....78	PS 1901.....77



Metal Channel
Fasteners
Fittings
Pipe & Conduit Clamps
Pipe Hangers
Electrical
Concrete Inserts
Solar Components
Unipier®
Jr. Channel
Power-Angle
Fiberglass
Tech. Data

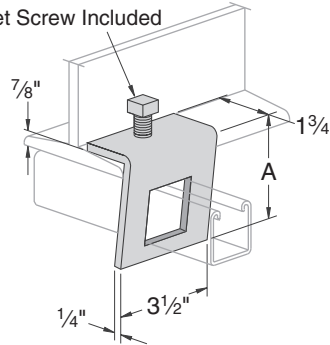
PS 2421 – 45° Degree Stair Tread Support



Weight/100 pcs: 220 lbs.

PS 855 – Angular "I" Beam Clamp

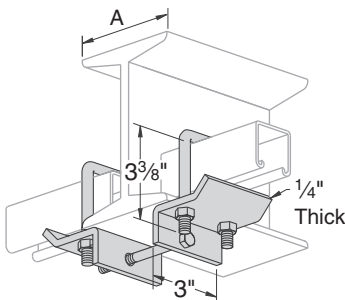
1/2" - 13 X 1 1/2"
Set Screw Included



Part No.	Use With	A	Load Rating	Wt./100 pcs.
PS 855-1	PS 200, PS 210	3 1/2"	500	107
PS 855-2	PS 500			98

Use in pairs only

PS 2657 – Double U Beam Clamp



Specify 6" or 12" max. flange width (Example: PS 2657 T1-6")

T1 Use with:

PS 200, PS 210, PS 300, PS 400, PS 500, PS 520

T2 Use with:

PS 100, PS 150, PS 200 2T3

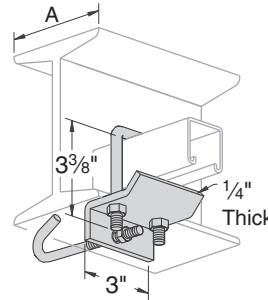
T3 Use with:

PS 150 2T3, PS 100 2T3

Part No.	"A" Beam Flange Width
PS 2657 T1-6	4" - 6"
PS 2657 T1-9	6" - 9"
PS 2657 T1-12	9" - 12"
PS 2657 T1-15	12" - 15"
PS 2657 T1-18	15" - 18"
PS 2657 T2-6	4" - 6"
PS 2657 T2-9	6" - 9"
PS 2657 T2-12	9" - 12"
PS 2657 T2-15	12" - 15"
PS 2657 T2-18	15" - 18"
PS 2657 T3-6	4" - 6"
PS 2657 T3-9	6" - 9"
PS 2657 T3-12	9" - 12"
PS 2657 T3-15	12" - 15"
PS 2657 T3-18	15" - 18"

Weight/100 pcs: 280 lbs.

PS 2656 – U Bolt Beam Clamp With Hook



Specify 6" or 12" max. flange width (Example: PS 2656 T1-6")

T1 Use with:

PS 200, PS 210, PS 300, PS 400, PS 500, PS 520

T2 Use with:

PS 100, PS 150, PS 200 2T3

T3 Use with:

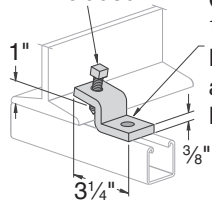
PS 150 2T3, PS 100 2T3

Part No.	"A" Beam Flange Width
PS 2656 T1-6	4" - 6"
PS 2656 T1-9	6" - 9"
PS 2656 T1-12	9" - 12"
PS 2656 T1-15	12" - 15"
PS 2656 T1-18	15" - 18"
PS 2656 T2-6	4" - 6"
PS 2656 T2-9	6" - 9"
PS 2656 T2-12	9" - 12"
PS 2656 T2-15	12" - 15"
PS 2656 T2-18	15" - 18"
PS 2656 T3-6	4" - 6"
PS 2656 T3-9	6" - 9"
PS 2656 T3-12	9" - 12"
PS 2656 T3-15	12" - 15"
PS 2656 T3-18	15" - 18"

Weight/100 pcs: 143 lbs.

PS 685 – Beam Clamp

1/2" - 13 X 1 1/2"
Set Screw Included



Clamp Requires 1/2" x 1 5/16" Hex Head Cap Screw and 1/2" Channel Nut Not Included.

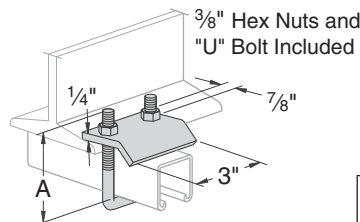
Stock Thickness: 3/8"

Load Rating: 450 lbs.

Use in pairs only

Weight/100 pcs: 63 lbs.

PS 2651 – Beam Clamp



Part No.	Use With	A	Load Rating	Wt./100 pcs.
PS 2651 T1	PS 200, PS 210 PS 300, PS 400 PS 500, PS 520	3 3/8"	1,000	83
PS 2651 T2	PS 100, PS 150 PS 200 2T3	5"		92
PS 2651 T3	PS 150 2T3 PS 100 2T3	8 1/4"		112

Use in pairs only