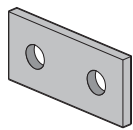


PICTORIAL TABLE OF CONTENTS



| General Fittings (cont.) | | | | | | |
|--------------------------|-----------------------|-----------------|-----------------------|-----------------|------------------------------|-----------------|
| | | | | | | |
| PS 732..... 63 | PS 838 R or L..... 64 | PS 3282..... 64 | PS 825 R or L..... 64 | PS 826..... 64 | PS 2404 thru PS 2408..... 64 | PS 2421..... 65 |
| | | | | | | |
| PS 855..... 65 | PS 2651..... 65 | PS 2657..... 65 | PS 2656..... 65 | PS 685..... 65 | PS 686..... 66 | PS 2653..... 66 |
| | | | | | | |
| PS 907, PS 998..... 66 | PS 916..... 66 | PS 684..... 66 | PS 2622..... 66 | PS 736..... 66 | PS 3201..... 67 | PS 2624..... 66 |
| | | | | | | |
| PS 871..... 67 | PS 858..... 67 | PS 865..... 67 | PS 2654 & A..... 68 | PS 135X..... 67 | PS 85..... 67 | PS 95..... 68 |
| | | | | | | |
| PS 86..... 68 | PS 93..... 68 | PS 94..... 68 | | | | |

| Pipe & Conduit Clamps | | | | | |
|-----------------------|-----------------------|----------------|----------------|----------------|----------------|
| | | | | | |
| PS 1000.....70 | PS 1100 Series.....70 | PS 1300.....70 | PS 1200.....71 | PS 3138.....72 | PS 3126.....72 |
| | | | | | |
| PS 3792.....75 | PS 67.....70 | PS 69.....71 | PS 137.....71 | PS 51.....72 | PS 004T.....74 |
| | | | | | |
| PS 004M.....75 | PS 270.....72 | PS 52E.....75 | PS MU.....76 | PS TP.....73 | PS CT.....73 |
| | | | | | |
| PS UB.....76 | PS 815.....77 | PS 1911.....77 | PS 816.....77 | PS 1902.....78 | PS 1901.....77 |

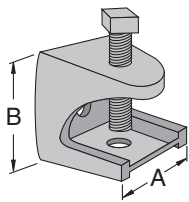


Finish: Painted Green, or Electro-galvanized **Order By:** No. and Finish

Note: Use in pairs or with other support

Metal Channel
Fasteners
Fittings
Pipe & Conduit Clamps
Pipe Hangers
Electrical
Concrete Inserts
Solar Components
Unipier®
Jr. Channel
Power-Angle
Fiberglass
Tech. Data

PS 85 - Rod or Insulator Support

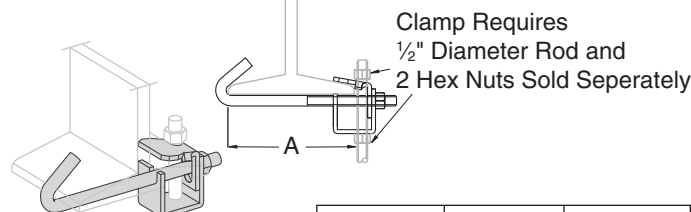


| Rod Size | A | B | Load Ratings | Wt./100 pcs |
|----------|--------|--------|--------------|-------------|
| 1/4" | 1 1/8" | 1 1/4" | 150 | 23 |
| 3/8" | 2" | 2" | 350 | 95 |
| 1/2" | 2 5/8" | 2 1/4" | 400 | 195 |

Flange Thickness: 7/8" Maximum

Material: Malleable Iron

PS 2626 - Beam Clamp

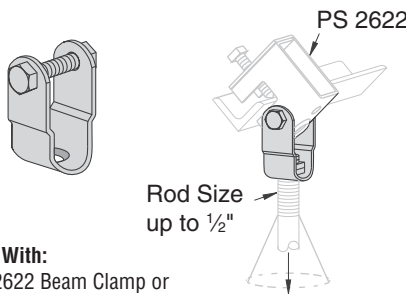


| Part No. | "A" Range | Wt./100 pcs |
|------------|--------------|-------------|
| PS 2626 6 | 2 1/2" - 6" | 125 |
| PS 2626 9 | 5 1/2" - 9" | 140 |
| PS 2626 12 | 8 1/2" - 12" | 171 |

Finish: Plain, painted green or electro-galvanized

Load Rating: 500 lbs.

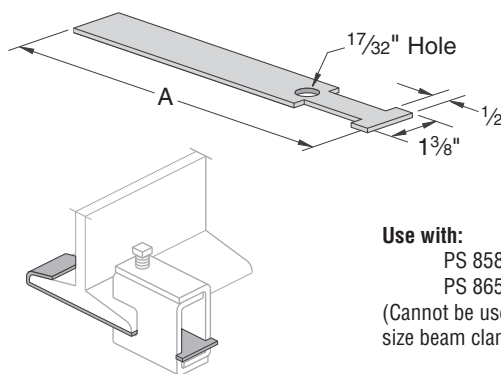
PS 2623 - Swivel Adaptor



Use With:
PS 2622 Beam Clamp or
PS 2624 Wood Beam Hanger
Load Rating: 300 lbs.

Rod Swivel 15
All Directions

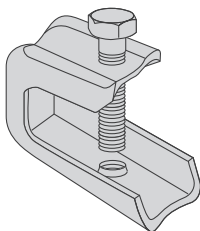
PS 871 - Safety Anchor Strap



| "A" Length | Wt./100 pcs |
|------------|-------------|
| 9" | 33 |
| 12" | 45 |
| 15" | 57 |

Use with:
PS 858,
PS 865
(Cannot be used with 5/8" rod size beam clamps and larger)

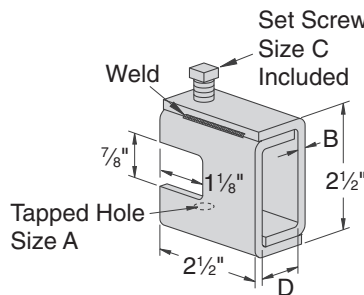
PS 135X - Light Duty Beam Clamp



Material: Steel
Use With: 1/4" rod
Load Rating: 75 lbs.

Weight/100 pcs: 14 lbs.

PS 858 - Heavy Duty Beam Clamp

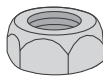


| Part No. | "A" Rod Size | B | C | D | Load Ratings lbs. | Wt./100 pcs |
|-------------|--------------|-------|---------------|---------|-------------------|-------------|
| PS 858 1/4 | 1/4" - 20 | | | | | 67 |
| PS 858 5/16 | 5/16" - 18 | 1/8" | 3/8" x 1 1/2" | 7/8" | 650 | 67 |
| PS 858 3/8 | 3/8" - 16 | 3/16" | 1/2" x 1 1/2" | 1 5/16" | 1,100 | 100 |
| PS 858 1/2 | 1/2" - 13 | 1/4" | | | 1,600 | 130 |
| PS 858 5/8 | 5/8" - 11 | 5/16" | 5/8" x 1 1/2" | 1 5/16" | 2,400 | 160 |
| PS 858 3/4 | 3/4" - 10 | | | | | 160 |

Weld is not continuous it is either 1 1/4" - 1 3/4" long or 2 spot welds. All welds are on the top and bottom.

For beams under 7/8" thick flange.

PS 3201 - Swivel Nut

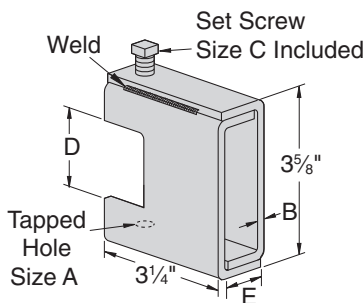


Use With:
PS 2622 Beam Clamp

| Rod Size | Wt./100 pcs |
|----------|-------------|
| 1/4" | 4 |
| 3/8" | 4 |
| 1/2" | 3 |

Weight/100 pcs: 31 lbs.

PS 865 - Wide Throat Heavy Duty Beam Clamp



| Part No. | Rod Size | B | C | D | E | Load Ratings lbs. | Wt./100 pcs |
|------------|----------|-------|--------|---------|---------|-------------------|-------------|
| PS 865 3/8 | 3/8" | 3/16" | 1/2" | | 29/32" | 1,100 | 151 |
| PS 865 1/2 | 1/2" | 1/4" | 1 1/2" | 1 1/16" | 1 5/16" | 1,600 | 195 |
| PS 865 5/8 | 5/8" | 5/16" | 5/8" | | 1 5/16" | 2,400 | 225 |

For beams between 3/4" (19) to 1 5/8" (41) thick flanges.

Weld is not continuous it is either 1 1/4" - 1 3/4" long or 2 spot welds. All welds are on the top and bottom.