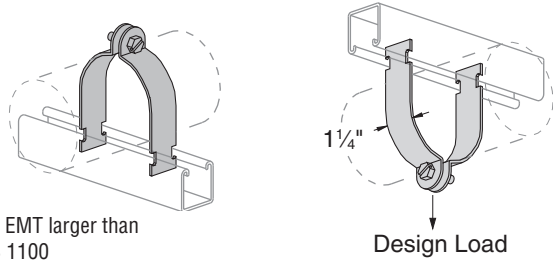


PIPE & CONDUIT CLAMPS

Finish: Electro-galvanized Order By: No., and Finish



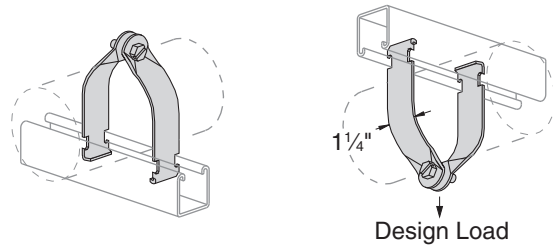
PS 1000 – EMT Conduit Clamp



Note: For EMT larger than 2" use PS 1100

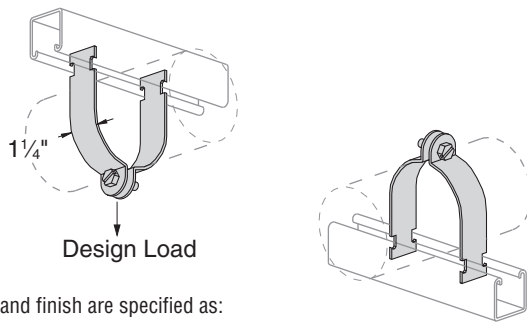
EMT Size	Stock Thickness	Hanging Load Rating/lbs.	Wt./100 pcs
1/2"	.060	400	11
3/4"			12
1"	.075	600	15
1 1/4"			18
1 1/2"	.105	800	29
2"			33

PS 1300 – Universal Clamp for EMT, IMC & GRC



Nominal Size	Fits O.D.	Stock Thickness	Hanging Load Rating/lbs.	Wt./100 pcs
1/2"	0.706-0.840	.060	250	10
3/4"	0.922-1.050	.060	400	11
1"	1.163-1.315			12
1 1/4"	1.510-1.660	.075	400	18
1 1/2"	1.740-1.900	.075	500	20
2"	2.197-2.375			22

PS 1100, PS 1116, PS 1117 – Standard Pipe Clamp (GRC, IMC and SCH 40/SCH 80 steel pipe)

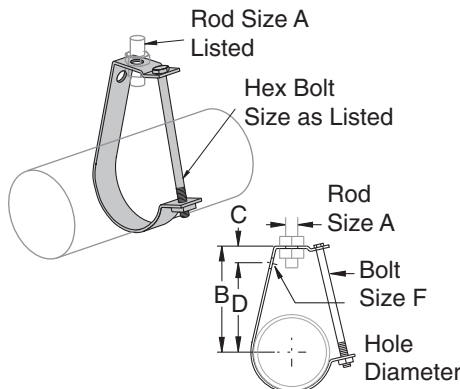


Material and finish are specified as:

- 1100 AL Alum. clamp, EG fasteners
- 1100 HG Clamp, Stainless Steel fasteners
- 1116 Alum. clamp and fasteners
- 1117 Alum. clamp, Stainless Steel fasteners
- 1100SS Stainless Steel clamp and fasteners

Pipe Size	Stock Thickness	Hanging Load Rating/lbs.	Wt./100 pcs
3/8"	.060	400	10
1/2"			11
3/4"	.075	600	15
1"			17
1 1/4"			19
1 1/2"	.105	800	29
2"			34
2 1/2"			40
3"			47
3 1/2"	.125	1,000	62
4"			67
5"			80
6"			102
8"			130
10"	.135	1,000	143
12"			174

PS 67 – "J" Pipe or Conduit Hanger



Notes:
 Hanger Rod Suspended
 Plastic Coated hanger is available ("N" Suffix).
 Please contact factory for additional information.
 Maximum operating temperature is 300°F
 Minimum safety factor of five (5) on ultimate load.

Conduit Size	A Rod Size	B	C	D	E	F	Load Rating/lbs.	Wt./100 pcs
1/2"	3/8	2 5/8	1	2	1 3/32	1/4 x 2 1/4	400	20
3/4"		2 7/8		2 1/4		1/4 x 2 1/2		21
1"		3		2 3/8		1/4 x 2 3/4		24
1 1/4"		3 1/4		2 1/2		1/4 x 3		27
1 1/2"	1/2	3 1/2	1 1/8	2 5/8	9/16	1/4 x 3 1/2	800	29
2"		3 3/4		2 5/8		3/8 x 4 1/2		33
2 1/2"		4 3/8		3 5/8		3/8 x 5		71
3"		4 7/8		4		3/8 x 6		78
3 1/2"	5/8	5 1/8	1 1/4	4 1/4	9/16	3/8 x 7 1/2	1,200	85
4"		6 1/8		5 1/8		3/8 x 8 1/2		178
5"		6 3/4		5 3/4		3/8 x 10		199
6"		7 3/4		6 1/2		3/8 x 10		231
8"	7 7/8	9 1/4	1 1/4	8			1,200	449