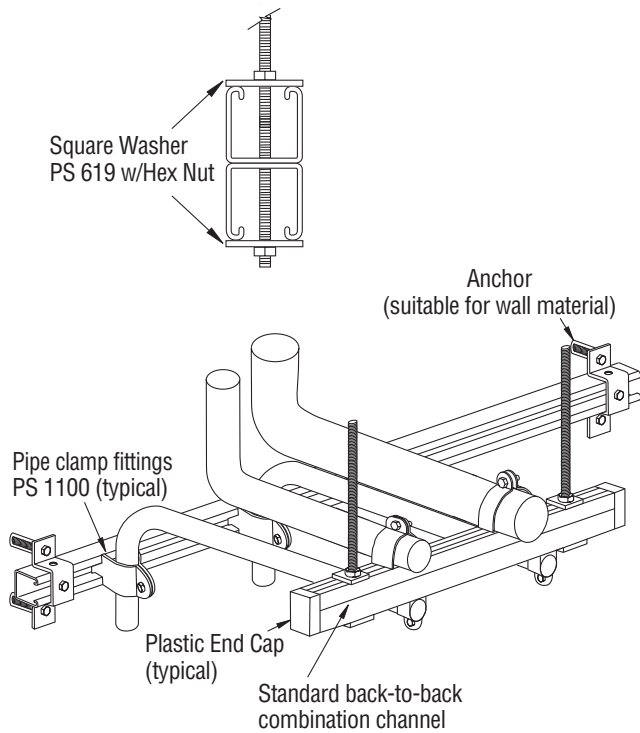
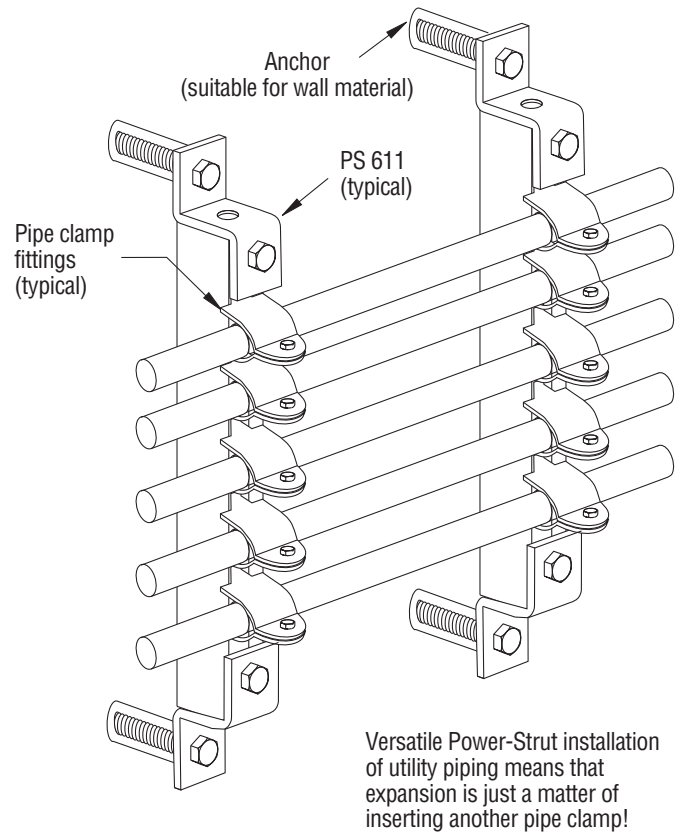


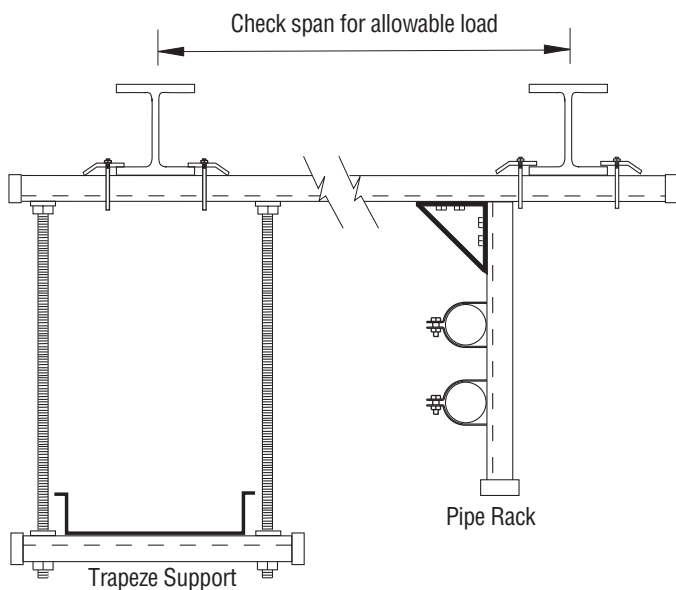
Overhead Support Vertical to Horizontal



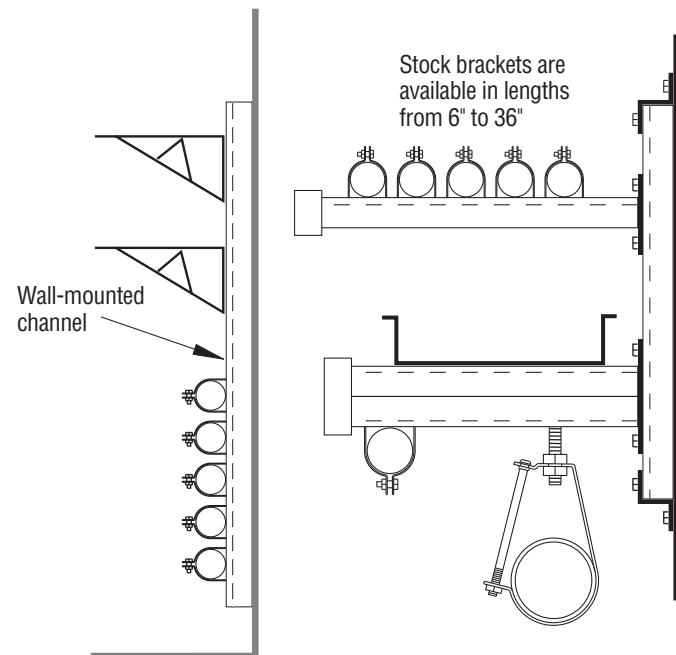
Wall Mount Organize & Control MultiShelf or Utility Support



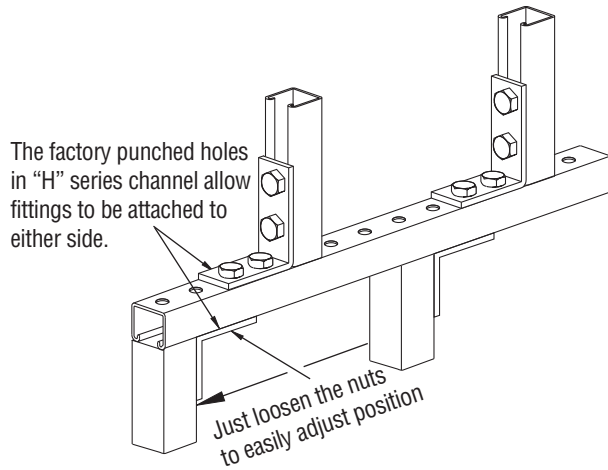
Overhead Multi-Use Support Systems Using Channel Attached to "I" Beams



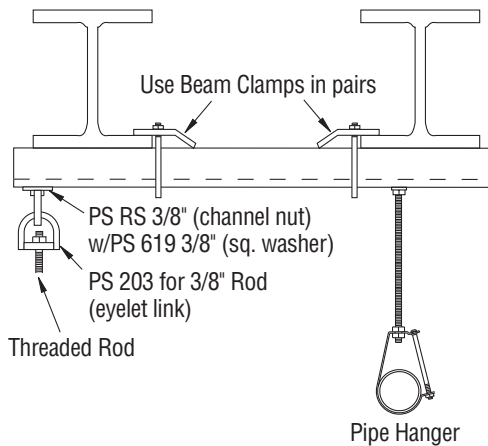
Wall Mounted Brackets



Standard Channel and Fitting Assembly

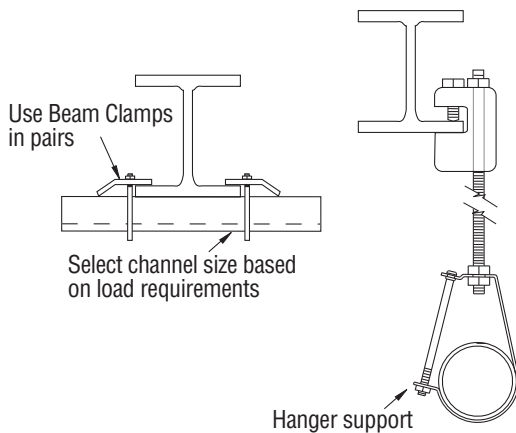


Supports for Threaded Rod Attachments Between Beams



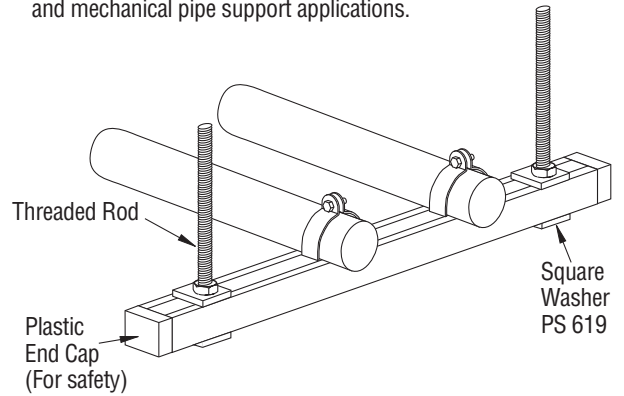
Select channel size based on load requirements

Supports for Threaded Rod Attachments to Single Beams

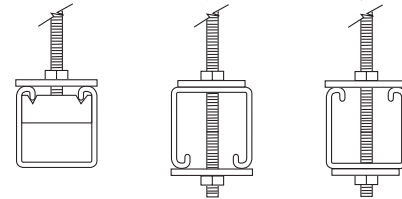


Trapeze Support System

Power-Strut metal framing is ideal for electrical and mechanical pipe support applications.

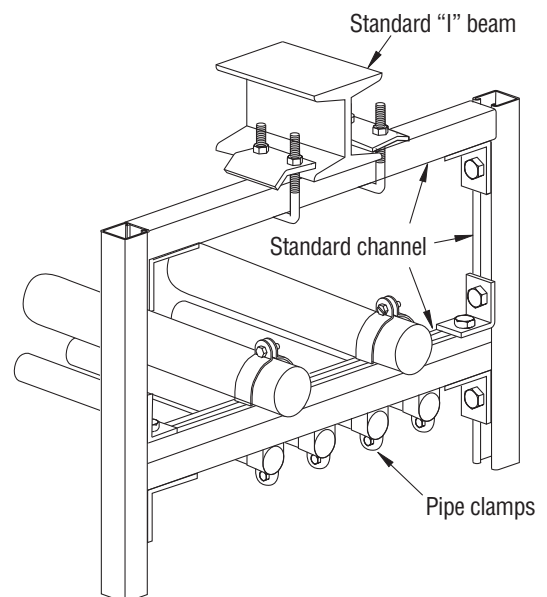


Acceptable Methods to Hang Channels



Pre-slotted channel allow through channel connections

Ganged Pipe Support



PICTORIAL TABLE OF CONTENTS



General Fittings

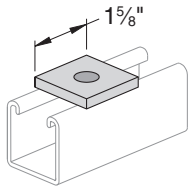
PS 601..... 50	PS 602..... 50	PS 617..... 50	PS 618..... 50	PS 619..... 50	PS 2504..... 50	PS 620..... 51
PS 621..... 51	PS 718..... 50	PS 719..... 50	PS 888..... 50	PS 889..... 50	PS 712..... 51	PS 714..... 51
PS 744..... 51	PS 750..... 51	PS 925..... 51	PS 2190..... 51	PS 747..... 51	PS 822..... 51	PS 854..... 51
PS 2112..... 51	PS 603..... 52	PS 921..... 52	PS 763..... 52	PS 764..... 52	PS 604..... 52	PS 2144..... 52
PS 806..... 52	PS 2520..... 52	PS 605..... 52	PS 606..... 53	PS 745..... 53	PS 2545..... 52	PS 607..... 53
PS 3049..... 53	PS 3373..... 53	PS 614..... 53	PS 615..... 53	PS 716 R or L..... 53	PS 720 R or L..... 53	PS 660..... 53
PS 927..... 54	PS 689 A & B..... 54	PS 713..... 53	PS 715..... 53	PS 622..... 54	PS 752 R or L..... 54	PS 746..... 54
PS 748..... 54	PS 3326 R or L..... 54	PS 2007 R or L..... 54	PS 633..... 55	PS 624..... 54	PS 781..... 55	PS 793..... 55
PS 2113..... 54	PS 9400..... 55	PS 9401..... 55	PS 9402..... 55	PS 9403..... 56	PS 9404..... 56	PS 926..... 54
PS 2054..... 55	PS 810..... 55	PS 812..... 56	PS 756..... 57	PS 2601..... 57	PS 611..... 57	PS 612..... 57

FITTINGS

Finish: Painted Green or Electro-galvanized Order By: No., Size and Finish



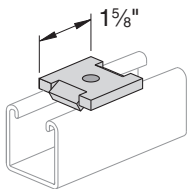
PS 619 – Square Washer



Note: Indicate rod size when ordering.
For example, PS 619 1/2.

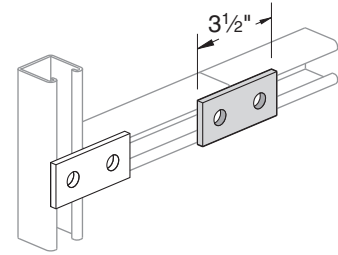
Rod Size	Hole Size	Wt./100 pcs
1/4"	11/32"	18
3/8"	7/16"	18
1/2"	9/16"	17
5/8"	11/16"	16
3/4"	13/16"	15

PS 2504 – Guided Square Washer



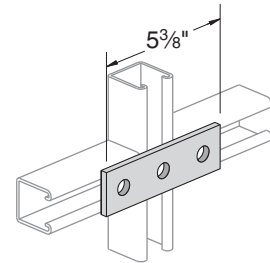
Note: Indicate rod size when ordering.
For example, PS 2504 1/2.

PS 601 – Two-Hole Splice Plate



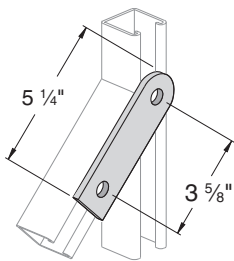
Weight/100 pcs: 38 lbs.

PS 602 – Three-Hole Splice Plate



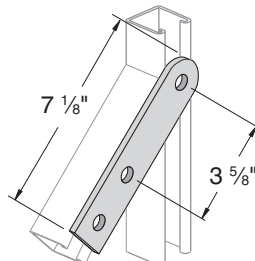
Weight/100 pcs: 50 lbs.

PS 618 – Two-Hole Swivel Plate



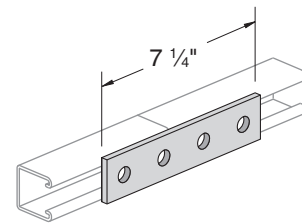
Weight/100 pcs: 55 lbs.

PS 617 – Three-Hole Swivel Plate



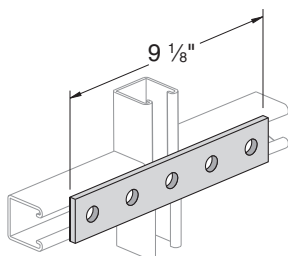
Weight/100 pcs: 75 lbs.

PS 888 – Four-Hole Splice Plate



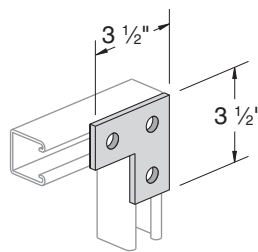
Weight/100 pcs: 78 lbs.

PS 889 – Five-Hole Splice Plate



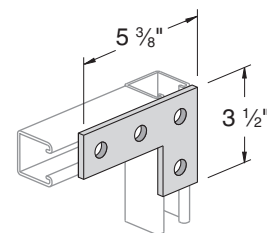
Weight/100 pcs: 94 lbs.

PS 718 – Flat Angle Plate



Weight/100 pcs: 58 lbs.

PS 719 – Flat Angle Plate



Weight/100 pcs: 80 lbs.