



1 5/8" Channel

Telestrut

Nuts & Hardware

General Fittings

Pipe/Conduit Supports

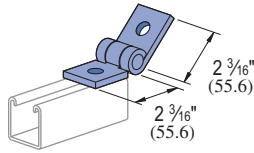
Electrical Fittings

Concrete Inserts

Solar

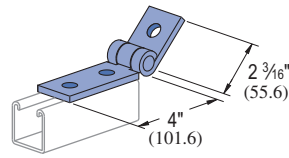
Unipier®

P1843 ADJ. HINGE CONNECTION



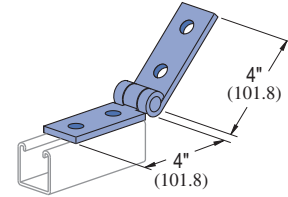
Wt/100 pcs: 68 Lbs (30.8 kg)

P1354A ADJ. HINGE CONNECTION



Wt/100 pcs: 89 Lbs (40.4 kg)

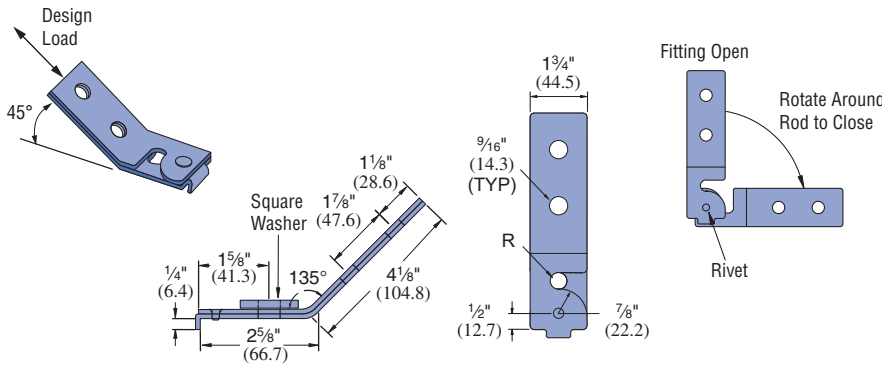
P1354 ADJ. HINGE CONNECTION



Wt/100 pcs: 109 Lbs (49.4 kg)

SPF® 100

SEISMIC PIVOT FITTINGS



| Part Number | Rod Size In (mm) | "R" - Hole Diameter In (mm) | Design Load Lbs (KN) |
|-------------|------------------|-----------------------------|----------------------|
| SPF 100-037 | 3/8 9.5 | 7/16 11.1 | 1,400 6.23 |
| SPF 100-050 | 1/2 12.7 | 9/16 14.3 | 2,100 9.34 |
| SPF 100-062 | 5/8 15.9 | 1 1/16 17.5 | 2,100 9.34 |
| SPF 100-075 | 3/4 19.1 | 1 3/16 20.6 | 2,400 10.68 |

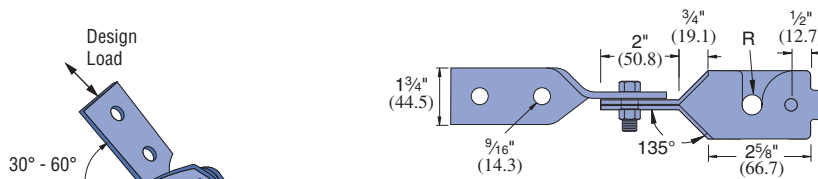
Safety Factor = 3
FINISH
Electro-galvanized (EG), conforming to
ASTM B633 Type III SC1.

Notes:

- Design load is limited to slip capacity of a channel nut at hole "R".
- Allowable loads have been determined by the manufacturers testing, analysis and technical specifications.
- For retrofit application, engineer of record must verify.
- Square washer provided with fitting.
- When a hanger rod is thru-bolted (in lieu of channel nut installation), higher transverse loads may be transmitted due to the higher allowed rod shear loads compared to channel nut slip values. This higher load may be used with verification through engineering calculations.

SPF® 200

ADJUSTABLE SEISMIC PIVOT FITTINGS



FINISH
Electro-galvanized (EG), conforming to
ASTM B633 Type III SC1.

| Part Number | Rod Size In (mm) | "R" - Hole Diameter In (mm) | Design Load Lbs (KN) |
|-------------|------------------|-----------------------------|----------------------|
| SPF 200-037 | 3/8 9.5 | 7/16 11.1 | 1,400 6.23 |
| SPF 200-050 | 1/2 12.7 | 9/16 14.3 | 2,100 9.34 |
| SPF 200-062 | 5/8 15.9 | 1 1/16 17.5 | 2,100 9.34 |
| SPF 200-075 | 3/4 19.1 | 1 3/16 20.6 | 2,400 10.68 |

Safety Factor = 3.0

Notes:

- Design load is limited to slip capacity of a channel nut at hole "R".
- Allowable loads have been determined by the manufacturers testing, analysis and technical specifications at 45° from horizontal.
- For retrofit application, engineer of record must verify.
- Square washer provided with fitting.
- When a hanger rod is thru-bolted (in lieu of channel nut installation), higher transverse loads may be transmitted due to the higher allowed rod shear loads compared to channel nut slip values. This higher load may be used with verification through engineering calculations.

