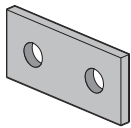


PICTORIAL TABLE OF CONTENTS



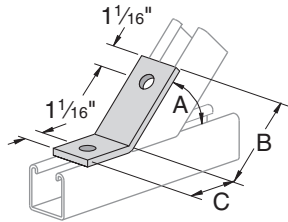
General Fittings

PS 601..... 50	PS 602..... 50	PS 617..... 50	PS 618..... 50	PS 619..... 50	PS 2504..... 50	PS 620..... 51
PS 621..... 51	PS 718..... 50	PS 719..... 50	PS 888..... 50	PS 889..... 50	PS 712..... 51	PS 714..... 51
PS 744..... 51	PS 750..... 51	PS 925..... 51	PS 2190..... 51	PS 747..... 51	PS 822..... 51	PS 854..... 51
PS 2112..... 51	PS 603..... 52	PS 921..... 52	PS 763..... 52	PS 764..... 52	PS 604..... 52	PS 2144..... 52
PS 806..... 52	PS 2520..... 52	PS 605..... 52	PS 606..... 53	PS 745..... 53	PS 2545..... 52	PS 607..... 53
PS 3049..... 53	PS 3373..... 53	PS 614..... 53	PS 615..... 53	PS 716 R or L..... 53	PS 720 R or L..... 53	PS 660..... 53
PS 927..... 54	PS 689 A & B..... 54	PS 713..... 53	PS 715..... 53	PS 622..... 54	PS 752 R or L..... 54	PS 746..... 54
PS 748..... 54	PS 3326 R or L..... 54	PS 2007 R or L..... 54	PS 633..... 55	PS 624..... 54	PS 781..... 55	PS 793..... 55
PS 2113..... 54	PS 9400..... 55	PS 9401..... 55	PS 9402..... 55	PS 9403..... 56	PS 9404..... 56	PS 926..... 54
PS 2054..... 55	PS 810..... 55	PS 812..... 56	PS 756..... 57	PS 2601..... 57	PS 611..... 57	PS 612..... 57



Finish: Painted Green or Electro-galvanized Order By: No., Size and Finish

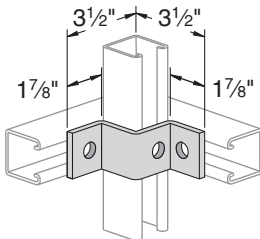
PS 633 – Two-Hole Open Angle Connector



"A" Degree	"B" In.	"C" In.
82½°	3¾"	1 11/16"
75°	3¾"	
67½°	3½"	1¾"
60°	3¾"	1 7/8"
52½°	3¼"	2 1/16"
45°	3"	2 5/16"
37½°	2 11/16"	2 5/8"
30°	3 1/4"	2 1/16"
22½°	3 5/16"	
15°	3 5/16"	
7½°	3 5/16"	

Weight/100 pcs: 58 lbs.

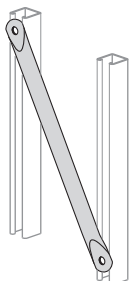
PS 2054 – Corner Connector



Use With: PS 200, PS 210

Weight/100 pcs: 66 lbs.

PS 810 – Diagonal Tube Brace

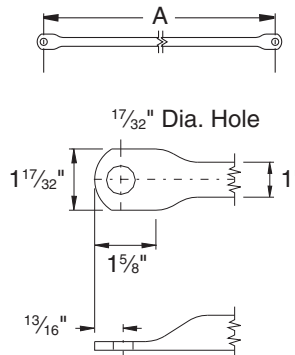


Part No.	A Size	Wt./100 pcs
PS 810 36	3'-0"	205
PS 810 42	3'-6"	237
PS 810 48	4'-0"	270

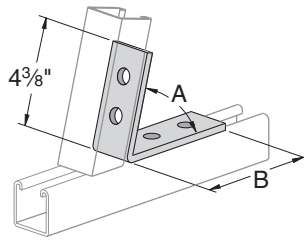
Note: 30° to 60° angle between the brace and channel is recommended for maximum effect.

Material: 1" dia. electric welded tubing

Stock Thickness: (.075) 14 ga.



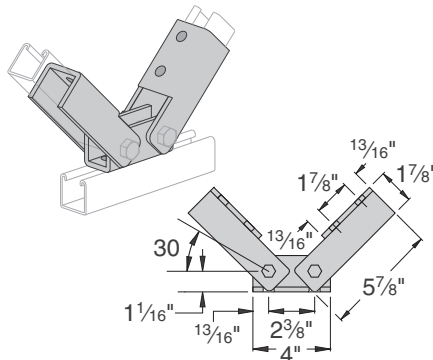
PS 793 – Four-Hole Closed Angle Connector



"A" Angle	"B" In.
37½°	4 7/8"
45°-	4 15/16"
52½°	
60°	5"
67½°	5 1/16"
75°	
82½°	

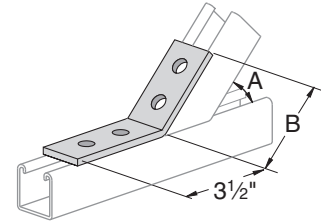
Weight/100 pcs: 100 lbs.

PS 9401 – Double Adjustable Brace



Weight/100 pcs: 307 lbs.

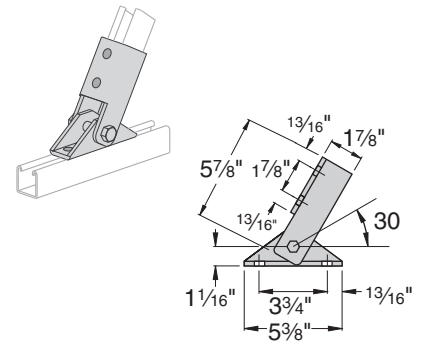
PS 781 – Four-Hole Open Angle Connector



"A" Angle	"B" In.
7½°	3¾"
15°	
22½°	
30°	3 11/16"
37½°	
45°	
52½°	
60°	3 5/8"
67½°	
75°	
82½°	

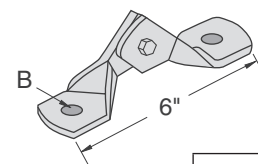
Weight/100 pcs: 78 lbs.

PS 9400 – Adjustable Brace



Weight/100 pcs: 307 lbs.

PS 9402 – Two-Hole Hinge Connector



"B" Bolt Size	Wt./100 pcs
½"	108
5/8"	107
¾"	106