




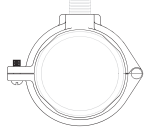
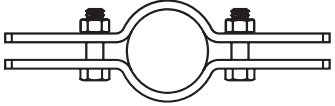

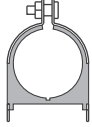
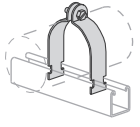


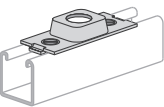
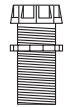
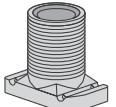
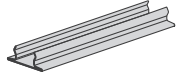
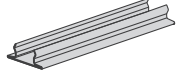
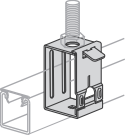
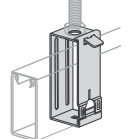
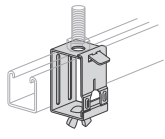
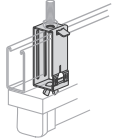
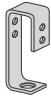
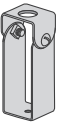
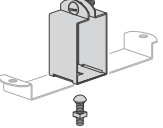
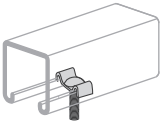
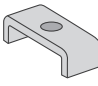
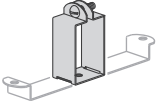
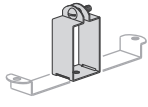
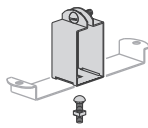


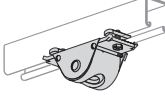
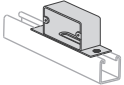
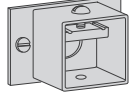
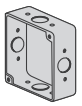
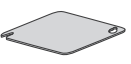
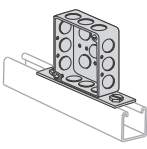
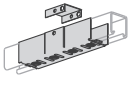
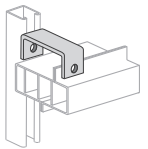
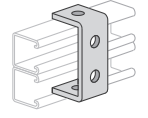
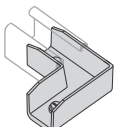
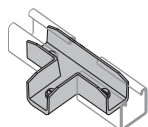

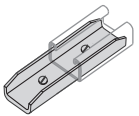
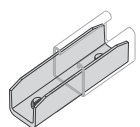
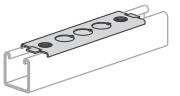

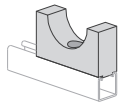
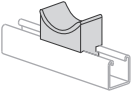
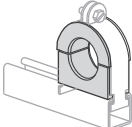
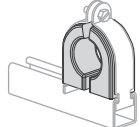
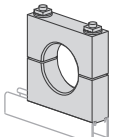


Pipe Hangers					
					
P8300 NFPA.....80	P8300CT.....80	P8000-P8001.....81	P8400-P8413.....81	P8105-P8109.....82	P8200-P8205.....82
					
P8500-P8513.....83	P8500-P8505.....83	P8600.....84	P8700.....84		

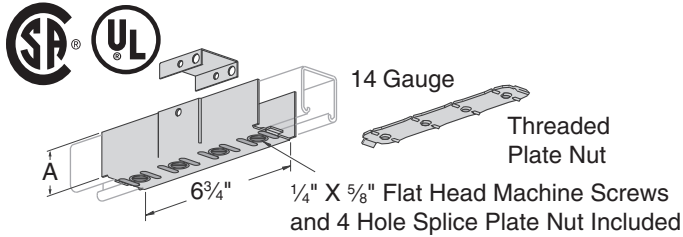
Electrical					
					
PS 655 Series.....90	PS 2511, PS 2581.....90	PS 2560, PS 2561.....90	PS 803.....90	PS 2625.....90	PS 707.....90
					
PS 707P.....90	PS 2632.....91	PS 2632D.....91	PS 2631.....91	PS 2631D.....91	PS 3301.....91
					
PS 807.....91	PS 703.....92	PS 2636.....92	PS 2637.....92	PS 702.....92	PS 702 D.....92
					
PS 703 D.....92	PS 659.....92	PS 658.....92	PS 2621.....93	PS 2639.....93	PS 2662A.....93
					
PS 2660.....93	PS 2661.....93	PS 2094.....93	PS 649 Series.....94	PS 760.....95	PS 671.....94
					
PS 2802.....94	PS 2801.....94	PS 2803.....94	PS 2700.....94	PS 2800.....94	PS 791.....95
					
PS 2627.....95	PS 1510.....95	PS 1500.....95	PS 722.....96	PS 1610.....96	PS 1801.....95

# ELECTRICAL

Finish: Painted Green or Pre-Galvanized Stock Length: 10' & 20' Order By: No. and Finish



## PS 649, PS 693, PS 694, PS 805, PS 942, PS 2582 – Electrical Joiner



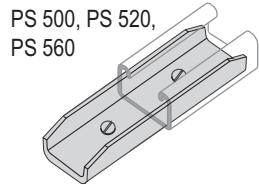
Stock Size: (.060)

Assembly: 1 Splice Plate Clevis (GRN),  
1 Tapped Plate (EG), 1 Backplate (GRN),  
4 Flat Head Machine Screws (EG).

Part No.	A	Use With	Finish	Wt./100 pcs
PS 805		PS 100	EG, GRN	106
PS 2582	1 5/8"	PS 150	EG	103
PS 649		PS 200, PS 210	EG, GRN	100
PS 694	1 3/8"	PS 300		97
PS 693	1 1/16"	PS 400		97
PS 942	1 3/16"	PS 500, PS 520		80

## PS 2700 – Inside Strut Joiner

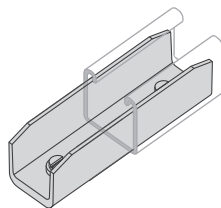
Material: Extruded aluminum  
Jam screws included



PS 500, PS 520,  
PS 560

Weight/100 pcs: 12 lbs.

## PS 2800 – Inside Strut Joiner

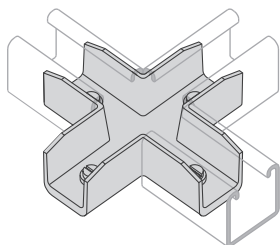


Material: Cast aluminum or electro-galvanized  
Jam screws included

Note: Electro-galvanized is not UL Listed

Weight/100 pcs: 20 lbs.

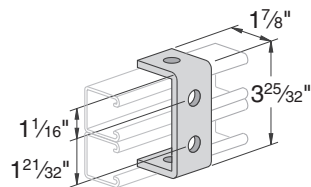
## PS 2803 – “Cross” Inside Strut Joiner



Material: Cast aluminum  
Jam screws included

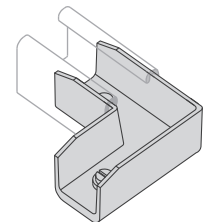
Weight/100 pcs: 45 lbs.

## PS 671 – Strut Suspension Member



Weight/100 pcs: 70 lbs.

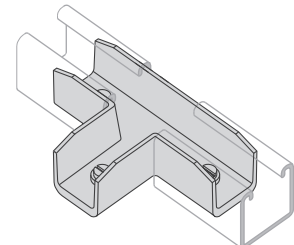
## PS 2802 – “Elbow” Inside Strut Joiner



Material: Cast aluminum  
Jam screws included

Weight/100 pcs: 27 lbs.

## PS 2801 – “T” Inside Strut Joiner



Material: Cast aluminum  
Jam screws included

Weight/100 pcs: 35 lbs.